



Improving the Resolution of Digital Potentiometer (POT) Applications

Resolution is the ability to discern one of many. In application circuits using digital POTs, resolution is both a function of the potentiometer and the circuit design. The objective of this application note is to illustrate a few basic device and circuit ideas on resolution. This application note focuses on resolving voltage.

There are millions of applications of the potentiometer, however, the most common one is the programmable voltage divider shown in Figure 1. For a potentiometer with n taps (remember two of the taps are used for the bottom and top of the resistive array), the resolution of the potentiometer is given as:

$$V_{OUT} \text{ (smallest)} = \frac{V_{REF}}{n - 1}$$

$$0 \text{ V} \leq V_{OUT} \leq V_{REF}$$

The output of the circuit is the wiper voltage which may be buffered (V_{OUT}') or not (V_{OUT}). The amount of loading of the wiper will determine whether to use the buffered or unbuffered version of the digital POT. For example, the resolution is 50.5 mV for a 100 tap pot and a 5 V reference. The number of taps of ON Semiconductor's digital POTs vary from 32 to 256.

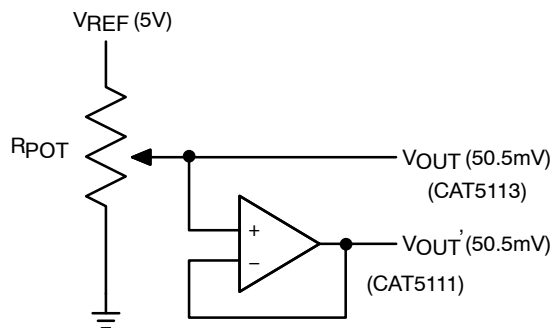


Figure 1. Programmable Voltage Divider

APPLICATION NOTE

If the range of the programmed voltage can be restricted in the application, the pot can be inserted in a voltage divider as shown in Figure 2. Resistors R_1 , R_2 , and the end-to-end resistance of the potentiometer, R_{POT} , define the voltage range and the number of pot taps defines the voltage resolution within this range.

$$V_{OUT} \text{ (smallest)} = \frac{V_{REF}}{n - 1} \frac{R_{POT}}{R_{POT} + R_1 + R_2}$$

$$V_1 \leq V_{OUT} \leq V_2$$

For example, if the voltage range is restricted from 0.601 V to 0.701 V, the resolution is for the tap pot 1.01 mV over this range.

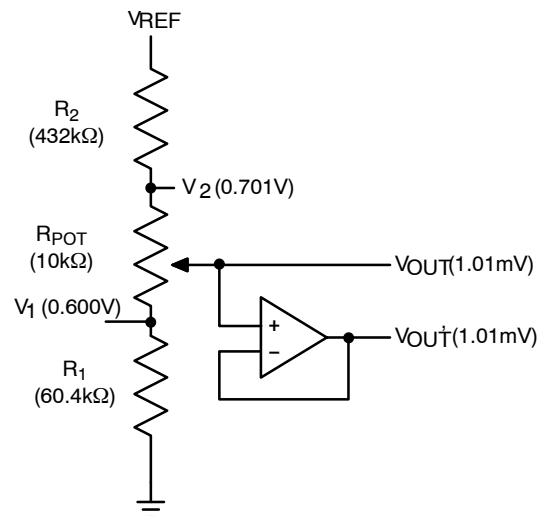


Figure 2. Differential Voltage Divider

AND8420/D

An amplifier and a few discrete resistors can extend the resolution to satisfy any application requirement. The circuit in Figure 3 consists of two buffered digitally controlled, 100 tap, potentiometers and a summing amplifier circuit with weighted-value, input resistors. For this circuit,

$$V_{OUT} = \frac{99 V_1}{100} + \frac{V_2}{100}$$

$$V_{OUT} \text{ (smallest)} = \frac{V_{1,2}}{n - 1} \frac{1}{100}$$

The output of this circuit example varies from 0 to 5 V in half-millivolt steps and is the equivalent to a 13+ binary bit DAC (with memory!!). The use of summing amplifier (inverting and noninverting) circuits, weighted-value input resistors, and digital POTs can extend the resolution to any required level.

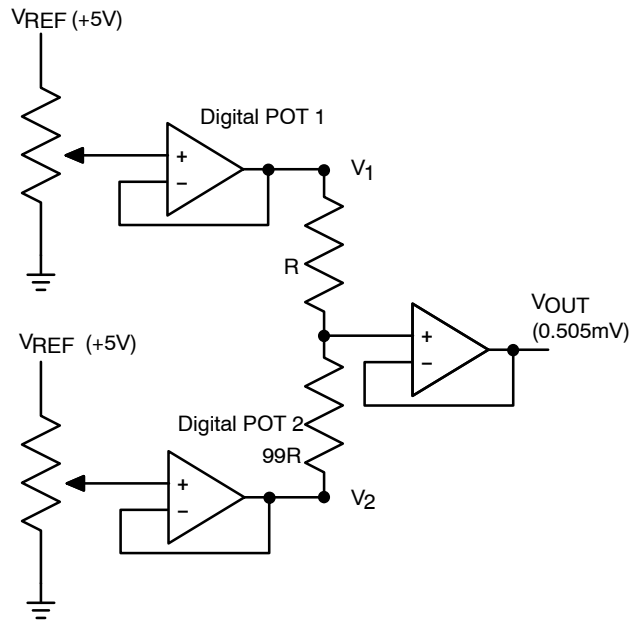



Figure 3. High Resolution Voltage Divider

ON Semiconductor and  are registered trademarks of Semiconductor Components Industries, LLC (SCILLC). SCILLC owns the rights to a number of patents, trademarks, copyrights, trade secrets, and other intellectual property. A listing of SCILLC's product/patent coverage may be accessed at www.onsemi.com/site/pdf/Patent-Marking.pdf. SCILLC reserves the right to make changes without further notice to any products herein. SCILLC makes no warranty, representation or guarantee regarding the suitability of its products for any particular purpose, nor does SCILLC assume any liability arising out of the application or use of any product or circuit, and specifically disclaims any and all liability, including without limitation special, consequential or incidental damages. "Typical" parameters which may be provided in SCILLC data sheets and/or specifications can and do vary in different applications and actual performance may vary over time. All operating parameters, including "Typicals" must be validated for each customer application by customer's technical experts. SCILLC does not convey any license under its patent rights nor the rights of others. SCILLC products are not designed, intended, or authorized for use as components in systems intended for surgical implant into the body, or other applications intended to support or sustain life, or for any other application in which the failure of the SCILLC product could create a situation where personal injury or death may occur. Should Buyer purchase or use SCILLC products for any such unintended or unauthorized application, Buyer shall indemnify and hold SCILLC and its officers, employees, subsidiaries, affiliates, and distributors harmless against all claims, costs, damages, and expenses, and reasonable attorney fees arising out of, directly or indirectly, any claim of personal injury or death associated with such unintended or unauthorized use, even if such claim alleges that SCILLC was negligent regarding the design or manufacture of the part. SCILLC is an Equal Opportunity/Affirmative Action Employer. This literature is subject to all applicable copyright laws and is not for resale in any manner.

PUBLICATION ORDERING INFORMATION

LITERATURE FULFILLMENT:

Literature Distribution Center for ON Semiconductor
P.O. Box 5163, Denver, Colorado 80217 USA
Phone: 303-675-2175 or 800-344-3860 Toll Free USA/Canada
Fax: 303-675-2176 or 800-344-3867 Toll Free USA/Canada
Email: orderlit@onsemi.com

N. American Technical Support: 800-282-9855 Toll Free
USA/Canada
Europe, Middle East and Africa Technical Support:
Phone: 421 33 790 2910
Japan Customer Focus Center
Phone: 81-3-5817-1050

ON Semiconductor Website: www.onsemi.com

Order Literature: <http://www.onsemi.com/orderlit>

For additional information, please contact your local Sales Representative