

# AND8421/D

Former Catalyst Document Number DN5



ON Semiconductor®

[www.onsemi.com](http://www.onsemi.com)

## Making a Stop-less Digital Potentiometer (POT)

This application note contains a reference design to take the stops out of the digital POT in an application circuit.

Digital POTs with an increment/decrement interface have three control functions,  $\overline{INC}$ ,  $U/\overline{D}$ , and  $\overline{CS}$ . The wiper moves on the falling edge of  $\overline{INC}$  in the direction established by the level-sensitive  $U/\overline{D}$  function.  $\overline{CS}$  is used for addressing, enable, and store functions. Once the wiper reaches the last tap of the pot, it will stop at that point. A number of applications require the wiper to automatically reverse direction and move in the new direction.

The circuit in Figure 1 is a stop-less digital POT. The pulses that drive the  $\overline{INC}$  pin of the digital POT are counted by a 7 bit binary counter (U1). The output of the counter is compared by a magnitude comparator (U2) with a fixed number. Using a 100 tap pot as an example, the magnitude comparator is programmed (by connecting high and lows on its input pins) to the fixed number 99. The output of the magnitude comparator drives a JK flip flop connected in the

### APPLICATION NOTE

toggle mode. When the number of input pulses to the digital POT equals the number 99, U2's output toggles the output of a JK flip flop to the opposite state. The output of the JK drives the  $U/\overline{D}$  input of the digital POT thus causing the change in direction of the movement of the wiper. The same circuit can be used for 16, 64, and 100 tap potentiometers by changing the number programmed at the input of the magnitude comparator.

If the clock is continuous and 5 V is applied to the potentiometer, the signal at the wiper will be a staircased triangular waveform. The stop-less potentiometer can operate from less than 5 Hz to more than 5 MHz.

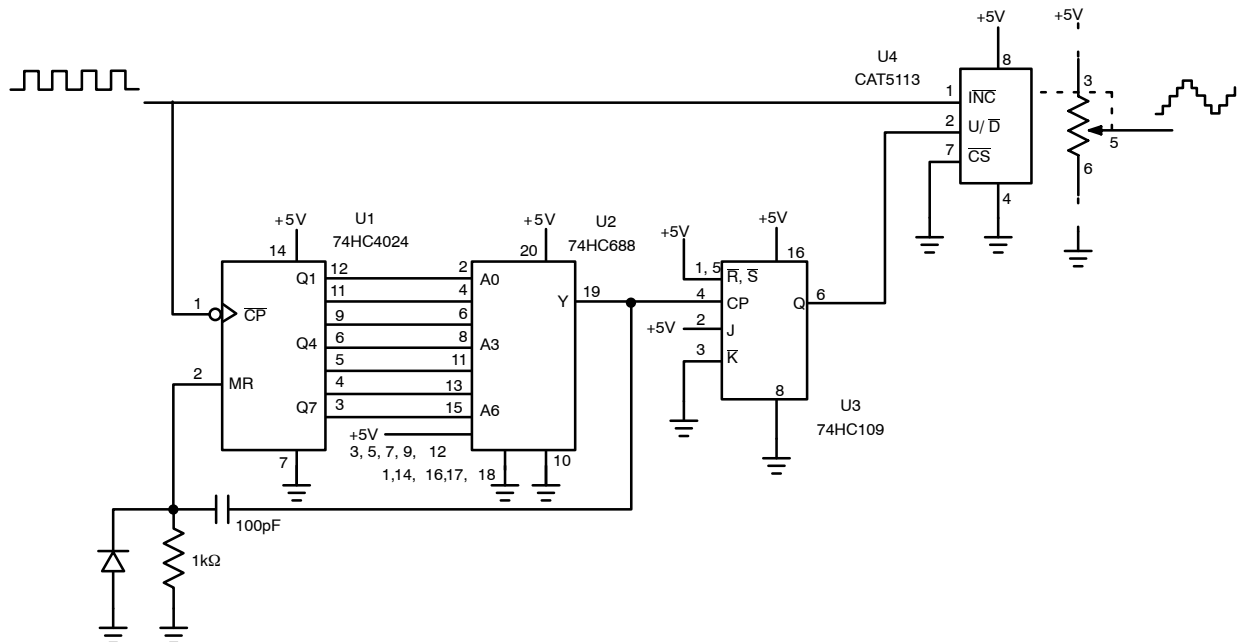



Figure 1. Stop-less Digital Potentiometer

ON Semiconductor and  are trademarks of Semiconductor Components Industries, LLC dba ON Semiconductor or its subsidiaries in the United States and/or other countries. ON Semiconductor owns the rights to a number of patents, trademarks, copyrights, trade secrets, and other intellectual property. A listing of ON Semiconductor's product/patent coverage may be accessed at [www.onsemi.com/site/pdf/Patent-Marking.pdf](http://www.onsemi.com/site/pdf/Patent-Marking.pdf). ON Semiconductor reserves the right to make changes without further notice to any products herein. ON Semiconductor makes no warranty, representation or guarantee regarding the suitability of its products for any particular purpose, nor does ON Semiconductor assume any liability arising out of the application or use of any product or circuit, and specifically disclaims any and all liability, including without limitation special, consequential or incidental damages. Buyer is responsible for its products and applications using ON Semiconductor products, including compliance with all laws, regulations and safety requirements or standards, regardless of any support or applications information provided by ON Semiconductor. "Typical" parameters which may be provided in ON Semiconductor data sheets and/or specifications can and do vary in different applications and actual performance may vary over time. All operating parameters, including "Typicals" must be validated for each customer application by customer's technical experts. ON Semiconductor does not convey any license under its patent rights nor the rights of others. ON Semiconductor products are not designed, intended, or authorized for use as a critical component in life support systems or any FDA Class 3 medical devices or medical devices with a same or similar classification in a foreign jurisdiction or any devices intended for implantation in the human body. Should Buyer purchase or use ON Semiconductor products for any such unintended or unauthorized application, Buyer shall indemnify and hold ON Semiconductor and its officers, employees, subsidiaries, affiliates, and distributors harmless against all claims, costs, damages, and expenses, and reasonable attorney fees arising out of, directly or indirectly, any claim of personal injury or death associated with such unintended or unauthorized use, even if such claim alleges that ON Semiconductor was negligent regarding the design or manufacture of the part. ON Semiconductor is an Equal Opportunity/Affirmative Action Employer. This literature is subject to all applicable copyright laws and is not for resale in any manner.

**PUBLICATION ORDERING INFORMATION**

**LITERATURE FULFILLMENT:**

Literature Distribution Center for ON Semiconductor  
19521 E. 32nd Pkwy, Aurora, Colorado 80011 USA  
**Phone:** 303-675-2175 or 800-344-3860 Toll Free USA/Canada  
**Fax:** 303-675-2176 or 800-344-3867 Toll Free USA/Canada  
**Email:** [orderlit@onsemi.com](mailto:orderlit@onsemi.com)

**N. American Technical Support:** 800-282-9855 Toll Free  
USA/Canada  
**Europe, Middle East and Africa Technical Support:**  
Phone: 421 33 790 2910

**ON Semiconductor Website:** [www.onsemi.com](http://www.onsemi.com)  
**Order Literature:** <http://www.onsemi.com/orderlit>

For additional information, please contact your local Sales Representative