

AND9560/D

Auto Gain Control using the NSVP249SDSF3, NSVR351SDSA3 and NCV2904



ON Semiconductor®

www.onsemi.com

Overview

This application note explains about an Auto Gain Control (AGC) for FM Radio Frequency using ON Semiconductor's NSVP249SDSF3, NSVR351SDSA3 and NCV2904.

NSVP249SDSF3 is a dual type PIN diode best suited for high-frequency applications which is assembled in the 3-pin surface mount package.

For information about the performance, please refer to the datasheet of this product.

NSVR351SDSA3 is a dual type silicon schottky barrier diode best suited for high-frequency applications which is assembled in the 3-pin surface mount package.

For information about the performance, please refer to the datasheet of this product.

NCV2904 is a Single Supply Dual Operational Amplifiers which is assembled in the 8-pin surface mount package.

For information about the performance, please refer to the datasheet of this product.

The evaluation board is adjusted to achieve the most suitable performance on FM Radio Frequency (90 MHz).

A standard material FR4 is used for the printed circuit board (PCB).

Please note that the losses of the PCB and the SMA connector are not excluded from the Power level.

APPLICATION NOTE

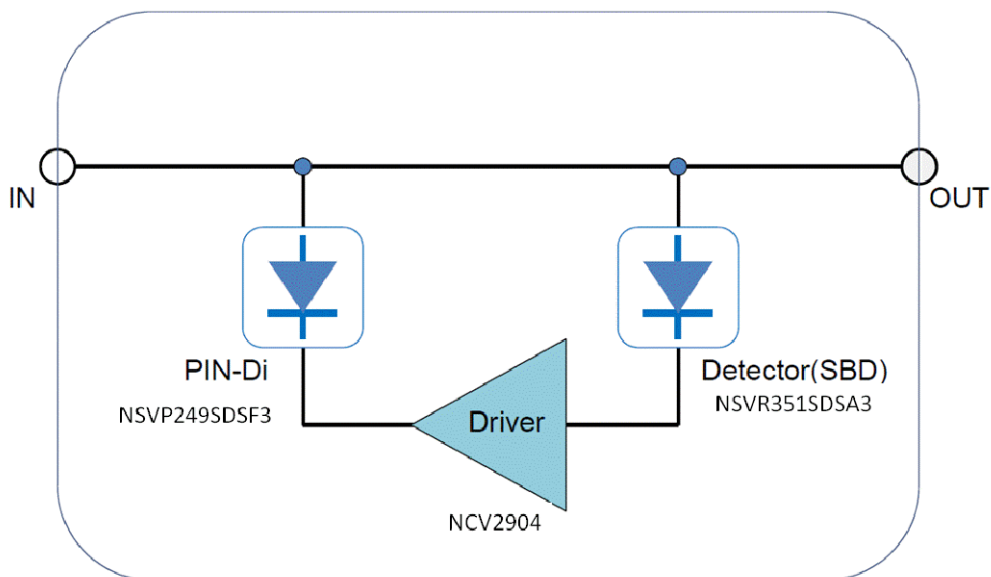
AND9560/D

■ Summary of Data

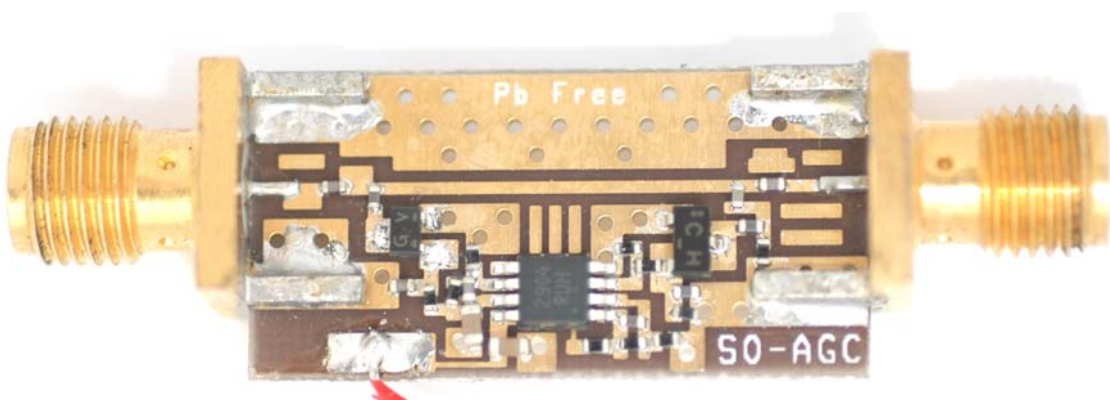
Ta = 25°C, Circuit Voltage = 5.0 V, f = 90 MHz

Parameter	Symbol	Result				Unit
Circuit Current	Icc	0.37	0.42	0.66	1.83	mA
Input Power	Pin	-20.0	-10.0	0.0	10.0	dBm
Output Power	Pout	-20.1	-10.1	-4.1	-3.2	dBm
Power Gain	Ga	-0.1	-0.1	-4.1	-13.2	dBm

■ Block Diagram

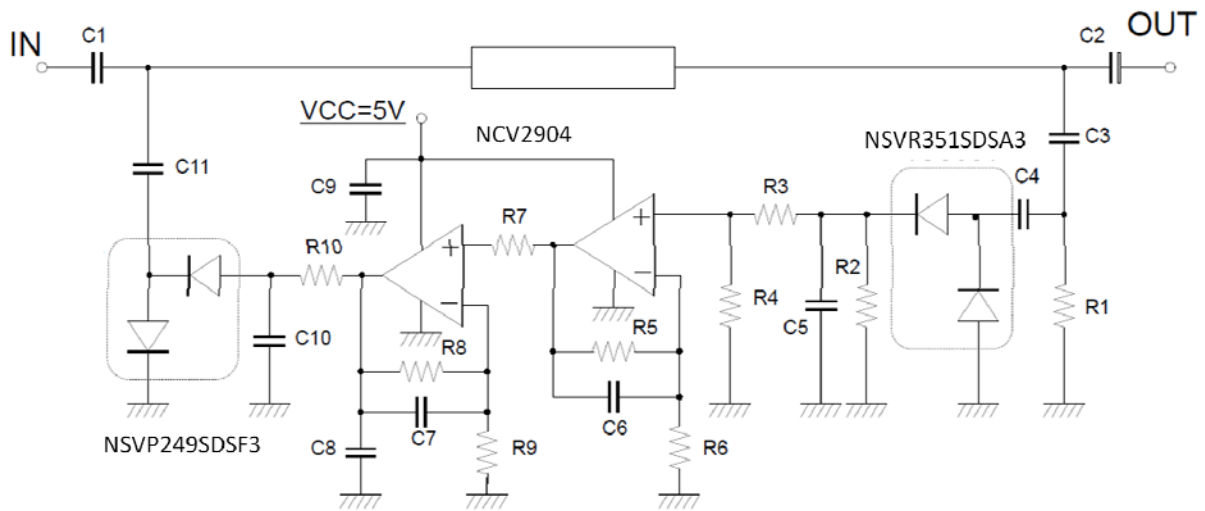


■ Evaluation Board



AND9560/D

■ Circuit Design

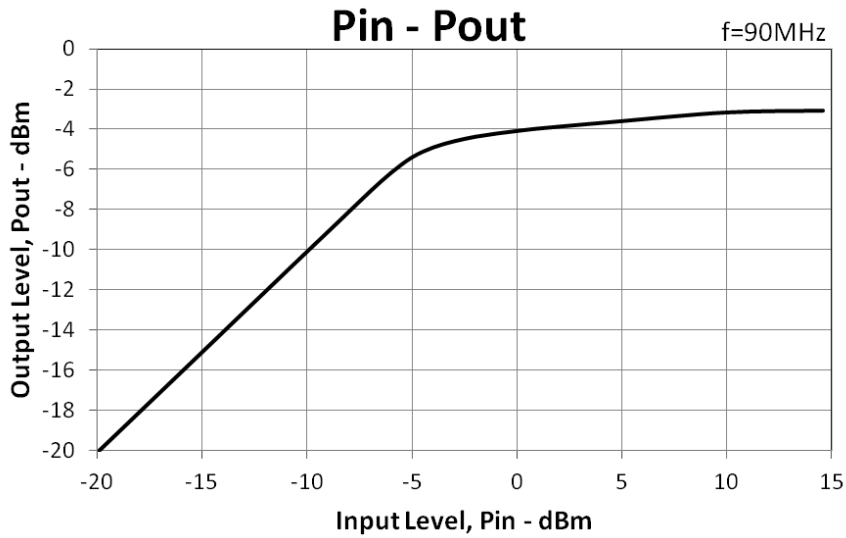


■ Bill of Materials

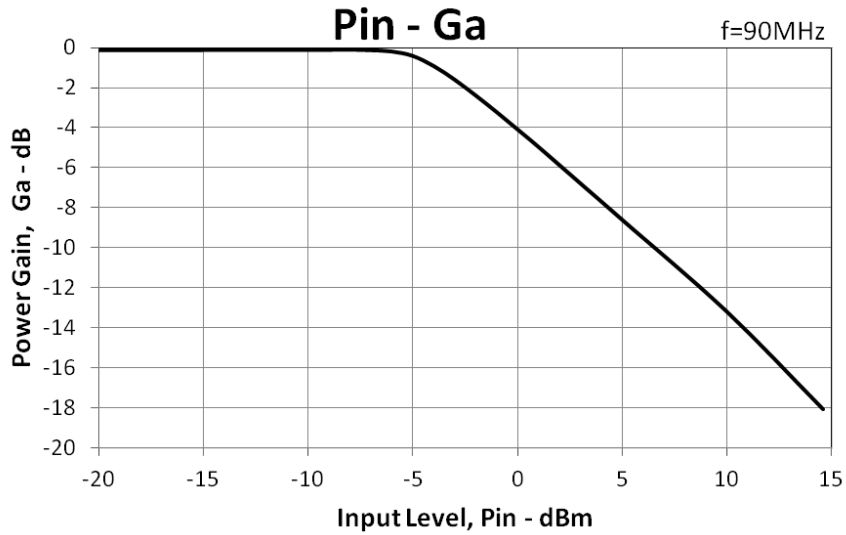
Part	Ref.	Size	Specification	Manufacturer
PIN-Di	–	MCP	NSVP249SDSF3	ON Semiconductor
Driver	–	Micro8	NCV2904	ON Semiconductor
Detector	–	CP	NSVR351SDSA3	ON Semiconductor
Resistor	R1	1005	68 Ω	Various
	R2	1005	470 kΩ	Various
	R3	1005	1.2 kΩ	Various
	R4	1005	82 kΩ	Various
	R5	1005	33 kΩ	Various
	R6	1005	3.9 kΩ	Various
	R7	1005	220 Ω	Various
	R8	1005	47 kΩ	Various
	R9	1005	3.9 kΩ	Various
	R10	1005	68 Ω	Various
Capacitor	C1, C2	1005	1000 pF	TAIYOYUDEN
	C3	1005	4 pF	TAIYOYUDEN
	C4 to C7	1005	1000 pF	TAIYOYUDEN
	C8, C9	1608	0.1 μF	ROHM MCH182CN104KK
	C10, C11	1005	1000 pF	TAIYOYUDEN
Material	–	25.4 x 12.7 mm	FR4	

AND9560/D

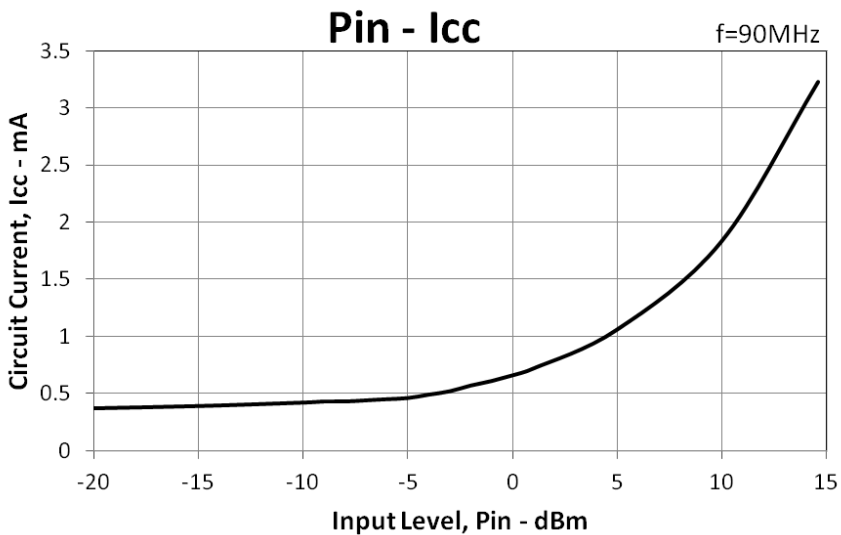
■ Pin - Pout



■ Power Gain



■ Circuit Current



ON Semiconductor and the ON Semiconductor logo are trademarks of Semiconductor Components Industries, LLC dba ON Semiconductor or its subsidiaries in the United States and/or other countries. ON Semiconductor owns the rights to a number of patents, trademarks, copyrights, trade secrets, and other intellectual property. A listing of ON Semiconductor's product/patent coverage may be accessed at www.onsemi.com/site/pdf/Patent-Marking.pdf. ON Semiconductor reserves the right to make changes without further notice to any products herein. ON Semiconductor makes no warranty, representation or guarantee regarding the suitability of its products for any particular purpose, nor does ON Semiconductor assume any liability arising out of the application or use of any product or circuit, and specifically disclaims any and all liability, including without limitation special, consequential or incidental damages. Buyer is responsible for its products and applications using ON Semiconductor products, including compliance with all laws, regulations and safety requirements or standards, regardless of any support or applications information provided by ON Semiconductor. "Typical" parameters which may be provided in ON Semiconductor data sheets and/or specifications can and do vary in different applications and actual performance may vary over time. All operating parameters, including "Typicals" must be validated for each customer application by customer's technical experts. ON Semiconductor does not convey any license under its patent rights nor the rights of others. ON Semiconductor products are not designed, intended, or authorized for use as a critical component in life support systems or any FDA Class 3 medical devices or medical devices with a same or similar classification in a foreign jurisdiction or any devices intended for implantation in the human body. Should Buyer purchase or use ON Semiconductor products for any such unintended or unauthorized application, Buyer shall indemnify and hold ON Semiconductor and its officers, employees, subsidiaries, affiliates, and distributors harmless against all claims, costs, damages, and expenses, and reasonable attorney fees arising out of, directly or indirectly, any claim of personal injury or death associated with such unintended or unauthorized use, even if such claim alleges that ON Semiconductor was negligent regarding the design or manufacture of the part. ON Semiconductor is an Equal Opportunity/Affirmative Action Employer. This literature is subject to all applicable copyright laws and is not for resale in any manner.