

# FAN3852 PCB Layout Guidelines & Application Notes



ON Semiconductor®

[www.onsemi.com](http://www.onsemi.com)

## AND9846/D

### OVERVIEW

The ON Semiconductor FAN3852 microphone pre-amplifier with digital output is a high performance, low-power analog-to-digital converter with a serial pulse density modulation (PDM) output.

This application note is intended to provide the system-level information needed to successfully implement this device in your microphone or analog sensor design.

Getting the most of the FAN3852's features in your applications requires attention to PCB layout and design guidelines to achieve optimum performance and reliability. Accordingly, this application note will address the following key topics:

- Application usage guidelines
- Signal path gain mapping
- Board design guidelines
- Grounding layout & considerations
- Decoupling capacitor size and placement
- Input signal coupling
- Design for EMI considerations

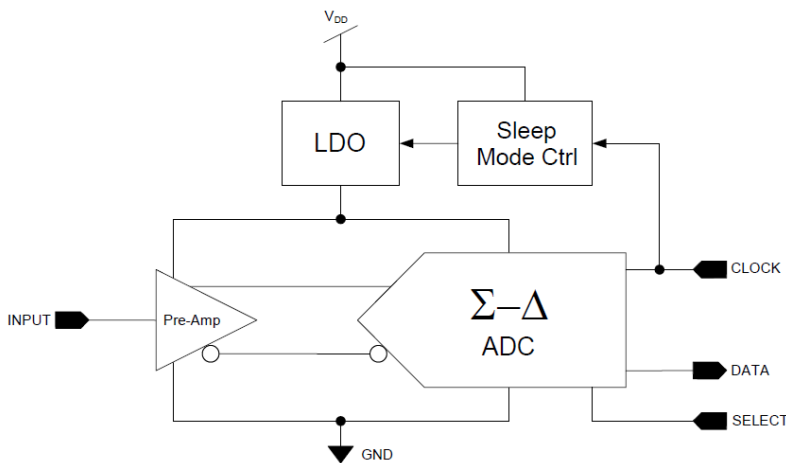


Figure 2. FAN3852 Simplified Block Diagram

### APPLICATION NOTE

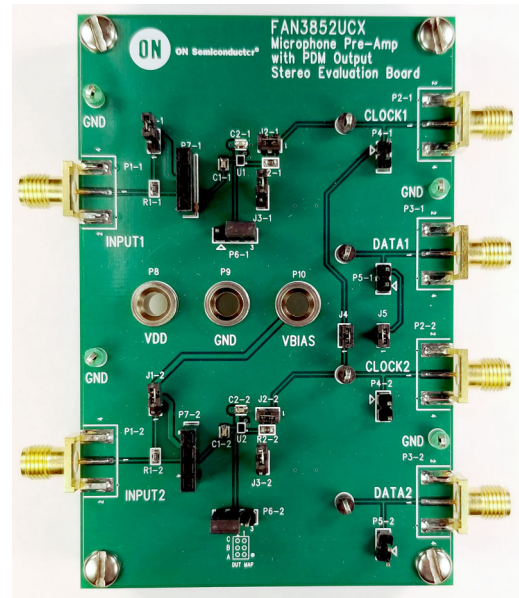


Figure 1. Evaluation Board

# AND9846/D

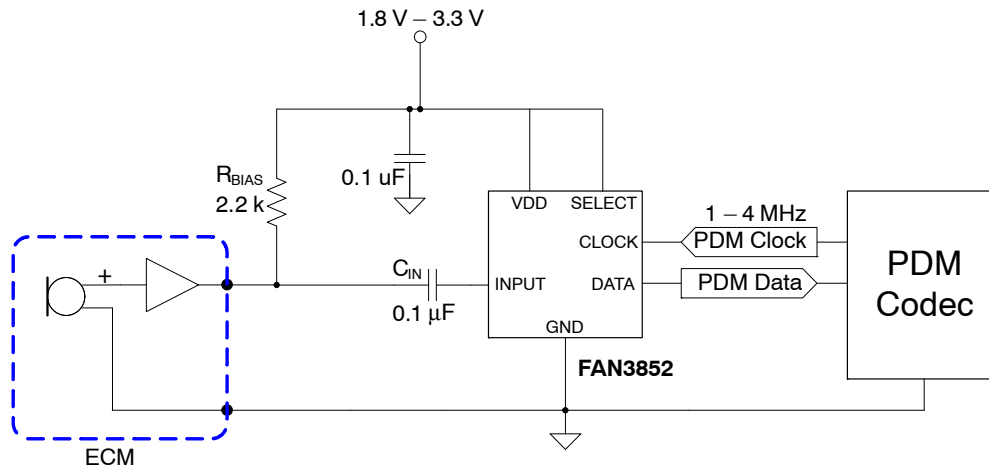


Figure 3. FAN3852 Simplified Applications Example (Mono)

## APPLICATIONS GUIDELINES

The FAN3852 incorporates design features that improve the performance and power-efficiency of the device in application. This section explains these features and provides guidelines for proper implementation.

### Low-Power Sleep-Mode

On removal of the PDM clock input, the FAN3852 automatically enters a power-saving sleep mode which reduces  $I_{DD}$  current from 420  $\mu$ A (typ) to 1.5  $\mu$ A (typ). The FAN3852 automatically recovers to active mode once the PDM clock is again detected. This is an especially useful feature for mobile or other low-power applications.

When designing an application to use the sleep-mode feature, use the datasheet sleep and enable timing specs,  $t_{WAKEUP}$  &  $t_{FALLASLEEP}$  to ensure PDM data integrity. Also note that the FAN3852 typically will sleep when  $f_{CLOCK}$  falls below ~70 kHz and wake when  $f_{CLOCK}$  is greater than ~300 kHz.

### Clock-edge SELECT pin

The FAN3852 SELECT pin allows the user to select the PDM clock edge for transmission of the PDM output data on the DATA pin. Table 1 below shows the data-to-clock edge alignment for each SELECT pin state.

Table 1. SELECT Pin Function

SELECT State	PDM Clock Edge
Low	Falling
High	Rising

This function allows the multiplexing of two devices on a single PDM bus. In this configuration, one device would be set to have its SELECT pin tied to VDD; the second device would have SELECT tied to GND. Each device would then output its PDM data on opposite clock edges, allowing the DDR PDM codec input to receive digital data

from both FAN3852 devices on a single shared data line. This configuration for a stereo ECM application is illustrated in the applications information section of the FAN3852 datasheet.

### Automatic Input Signal Bias Control

The FAN3852 input incorporates an automatic DC bias tracking function that compensates for changes in the input signal offset over time. This allows the device to optimize the usable input signal amplitude range, regardless of the AC signal frequency content.

In addition to these features, two key application considerations are discussed below:

### Input AC-Coupling Capacitor Selection

The input signal coupling scheme of the FAN3852 is different than typical signal-biasing schemes used for ECM audio or other analog signals. In those schemes, a resistor divider and AC coupling capacitor at the amplifier input are used to create the DC bias for the input signal and set the high-pass filter cutoff frequency.

While the FAN3852 also requires an input AC-coupling capacitor ( $C_{IN}$ ), the auto-bias control feature requires that there are no ground-referenced components between the  $C_{IN}$  capacitor and ground. Instead, the high-pass signal corner of the FAN3852 input is set by  $C_{IN}$  and the 10 G $\Omega$  device input impedance. Calculation of cutoff frequency is, therefore:

$$F_c = \frac{1}{2\pi(R_{IN} \times C_{IN})} \quad (\text{eq. 1})$$

Similarly, calculating the input capacitance for a desired cutoff frequency is:

$$C_{IN} = \frac{1}{2\pi(f_c \times R_{IN})} \quad (\text{eq. 2})$$

Due to the input coupling and auto-bias control of the FAN3852 input, DC measurements are not recommended.

**System Gain Calculation**

Whether you use the FAN3852 as an ADC pre-amplifier for traditional analog microphone signals or for amplification and digitization of other low-level analog end-point signals in your system, calculation of the path gain is an important part of the design.

The FAN3852 datasheet performance specifications such as input sensitivity ( $I_{N_{NOM}}$ ), signal-to-noise ratio (SNR) & acoustic overload point ( $V_{OUT}$ ) are intended for use with an electret condenser microphone (ECM) where the input signal is acoustic and measured in dB sound-pressure-level (SPL). For this type of application, the system signal mapping can be shown in Figure 4.

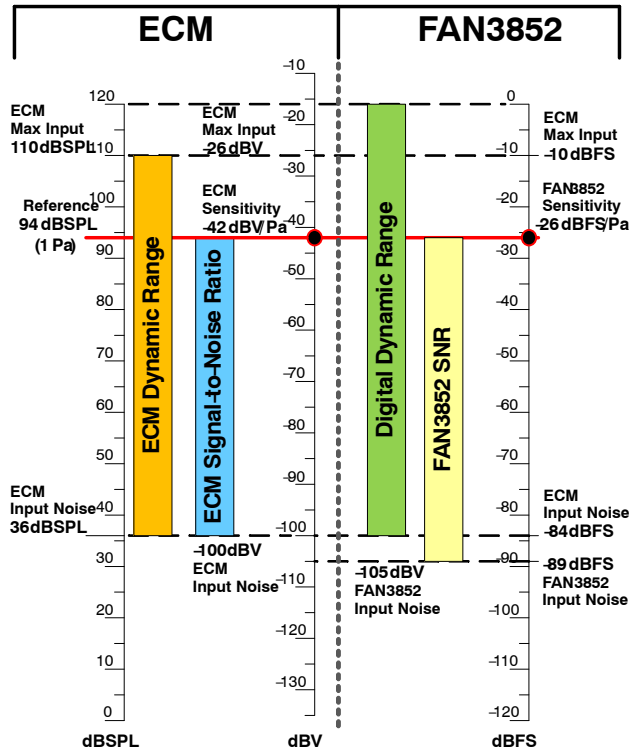


Figure 4. ECM-to-FAN3852 Signal Mapping

Figure 4 maps the input noise, dynamic range and signal-to-noise ratio of an example microphone from the acoustic (dB SPL) ECM input to the digital (dBFS) FAN3852 output. The key to this mapping is the sensitivity specifications of both the ECM and the FAN3852, which align the scales for conversion:

The ECM sensitivity specification of -42 dBV/Pa, measured at the reference level of 94 dB SPL, or 1 Pa, is the alignment point for mapping acoustic dB SPL sound level to RMS analog voltage for this particular ECM.

Similarly, the FAN3852 sensitivity of -26 dBFS/Pa allows the alignment of the dBFS scale to same reference point as the ECM.

Once the three scales are aligned by sensitivity, ECM datasheet specs such as the maximum input level and input noise can be mapped directly to dBV and dBFS. Others, such as dynamic range and SNR can be calculated per the equations below:

$$ECM\ e_N\ (dB SPL) = Reference - ECMSNR$$

$$ECM\ e_N\ (dBV) = ECM\ Sensitivity - ECM\ SNR$$

$$ECM\ Dynamic\ Range = ECM\ Max\ Input - ECM\ e_N$$

$$FAN3852\ SNR\ (dB) = FAN3852\ Sensitivity - FAN3852\ e_N$$

**Non-ECM Gain Mapping**

When using the FAN3852 in a non-microphone application, use the device’s nominal fixed internal analog-to-digital gain mapping of 16 dBFS/dBV to convert input signal amplitude to PDM output level.

This gain is derived from the datasheet spec for maximum input level ( $V_{IN}$ ) of 448 mVpp which, when converted to decibels, equals -16 dBV. Therefore, the max full-scale PDM output of 0 dBFS equals -16 dBV.

**BOARD DESIGN GUIDELINES**

The FAN3852 is a versatile small-signal amplifier that can be incorporated into designs of various form-factors and layouts. The small footprint and minimal number of external components make it ideal for use in applications where PCB space and overall form-factor are as important as maintaining performance, such as in mobile devices, power-sensitive IoT devices and stand-alone sensor units. For best results, refer to the following guidelines and considerations when implementing the FAN3852 in your PCB design.

**Grounding Layout & Consideration**

FAN3852 grounding layout is important for proper operation and performance.

Connect the FAN3852 ground pin to a common ground bus or plane that includes the ECM or sensor ground and the PDM codec ground.

**Decoupling Capacitors**

A 0.1  $\mu$ F low-ESR decoupling capacitor is recommended for VDD. This capacitor should be placed close to the FAN3852 and connected to GND through a low-impedance path. Refer to Figure 5.

**Analog Input Signal Layout**

Important: The FAN3852 analog input signal must be AC-coupled to the INPUT pin for proper operation. The FAN3852 generates a self-adjusting bias voltage at the INPUT pin to maintain optimum signal offset. Do not place any ground-referenced components between the input coupling capacitor and the INPUT pin; even high-impedance ( $M\Omega$ ) components can prevent the FAN3852 from maintaining the proper input offset voltage.

Refer also to Figure 5 for an example of top-layer trace routing and layout for power, output and signal traces.

**PDM Digital Signal Layout**

The FAN3852 PDM output is a 0V-to- $V_{DD}$  digital signal running at 1–4 MHz, with rise & fall times of 10 ns or less. For stable device performance, guidelines for trace routing and impedance control for high-speed signals should be observed:

- Control DATA output trace impedance to within 20% of nominal (minimize discontinuities).
- Consider using a 100  $\Omega$  series termination resistor at the input to the PDM receiver if PCB design restrictions cause signal integrity issues.

**EMI Considerations**

Designing for effective EMI (Electro-Magnetic Interference) mitigation is a necessity for electronic devices. The FAN3852 requires consideration of both the input and output signals.

Due to the extremely high input impedance of the FAN3852 and the small analog signal amplitudes, care must be taken to prevent unwanted signals from coupling or radiating on to the input from other sources. This includes keeping analog signal traces short (<1”) and placing the device away from noisy sources or under a shielded housing.

Additionally, care must be taken to ensure the PDM output signal does not contribute to EMI.

The most effective methods for EMI management are incorporated in the board design and layout, as noted above in the PDM Digital Signal Layout guidelines.

**Controlling Board Contaminants**

Due to the extremely high input impedance of the INPUT pin (>10  $G\Omega$ ), the performance of the FAN3852 can be compromised by the presence of residual contaminants from the assembly process.

A controlled process for removal of residual flux from between the device’s solder bumps, rinsing with de-ionized water, and baking the completed PCB to remove moisture is recommended to eliminate assembly-related performance issues.

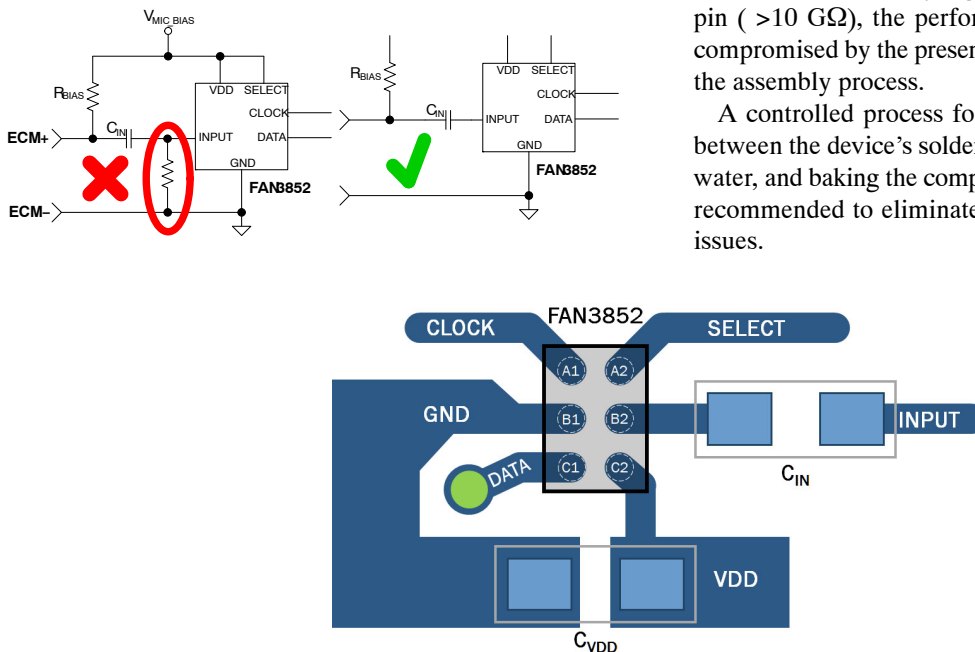



Figure 5. Example Top Layer Placement of Key Components & Traces

ON Semiconductor and  are trademarks of Semiconductor Components Industries, LLC dba ON Semiconductor or its subsidiaries in the United States and/or other countries. ON Semiconductor owns the rights to a number of patents, trademarks, copyrights, trade secrets, and other intellectual property. A listing of ON Semiconductor's product/patent coverage may be accessed at [www.onsemi.com/site/pdf/Patent-Marking.pdf](http://www.onsemi.com/site/pdf/Patent-Marking.pdf). ON Semiconductor reserves the right to make changes without further notice to any products herein. ON Semiconductor makes no warranty, representation or guarantee regarding the suitability of its products for any particular purpose, nor does ON Semiconductor assume any liability arising out of the application or use of any product or circuit, and specifically disclaims any and all liability, including without limitation special, consequential or incidental damages. Buyer is responsible for its products and applications using ON Semiconductor products, including compliance with all laws, regulations and safety requirements or standards, regardless of any support or applications information provided by ON Semiconductor. "Typical" parameters which may be provided in ON Semiconductor data sheets and/or specifications can and do vary in different applications and actual performance may vary over time. All operating parameters, including "Typicals" must be validated for each customer application by customer's technical experts. ON Semiconductor does not convey any license under its patent rights nor the rights of others. ON Semiconductor products are not designed, intended, or authorized for use as a critical component in life support systems or any FDA Class 3 medical devices or medical devices with a same or similar classification in a foreign jurisdiction or any devices intended for implantation in the human body. Should Buyer purchase or use ON Semiconductor products for any such unintended or unauthorized application, Buyer shall indemnify and hold ON Semiconductor and its officers, employees, subsidiaries, affiliates, and distributors harmless against all claims, costs, damages, and expenses, and reasonable attorney fees arising out of, directly or indirectly, any claim of personal injury or death associated with such unintended or unauthorized use, even if such claim alleges that ON Semiconductor was negligent regarding the design or manufacture of the part. ON Semiconductor is an Equal Opportunity/Affirmative Action Employer. This literature is subject to all applicable copyright laws and is not for resale in any manner.

**PUBLICATION ORDERING INFORMATION**

**LITERATURE FULFILLMENT:**

Literature Distribution Center for ON Semiconductor  
19521 E. 32nd Pkwy, Aurora, Colorado 80011 USA  
**Phone:** 303-675-2175 or 800-344-3860 Toll Free USA/Canada  
**Fax:** 303-675-2176 or 800-344-3867 Toll Free USA/Canada  
**Email:** [orderlit@onsemi.com](mailto:orderlit@onsemi.com)

**N. American Technical Support:** 800-282-9855 Toll Free  
USA/Canada  
**Europe, Middle East and Africa Technical Support:**  
Phone: 421 33 790 2910

**ON Semiconductor Website:** [www.onsemi.com](http://www.onsemi.com)

**Order Literature:** <http://www.onsemi.com/orderlit>

For additional information, please contact your local Sales Representative