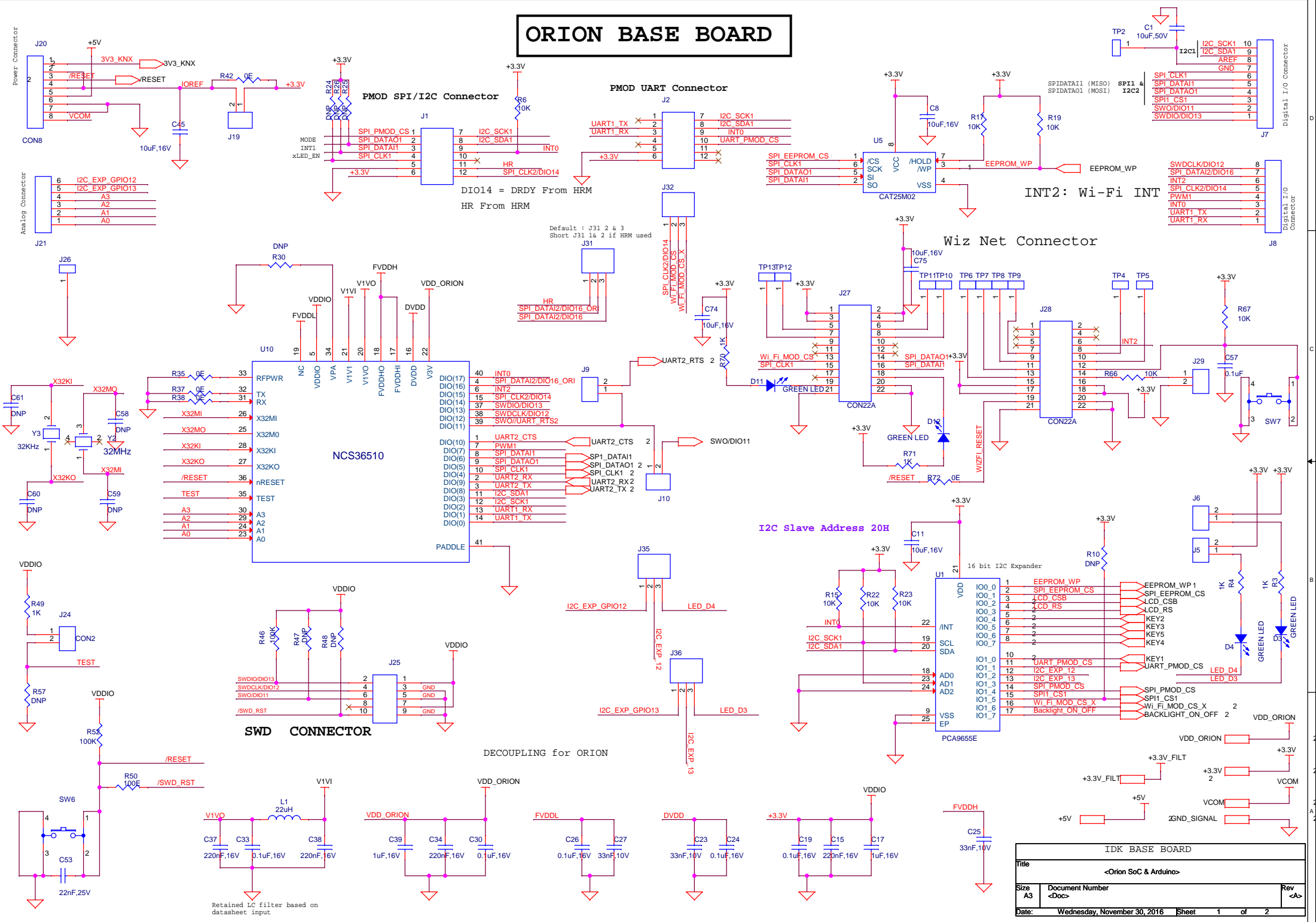
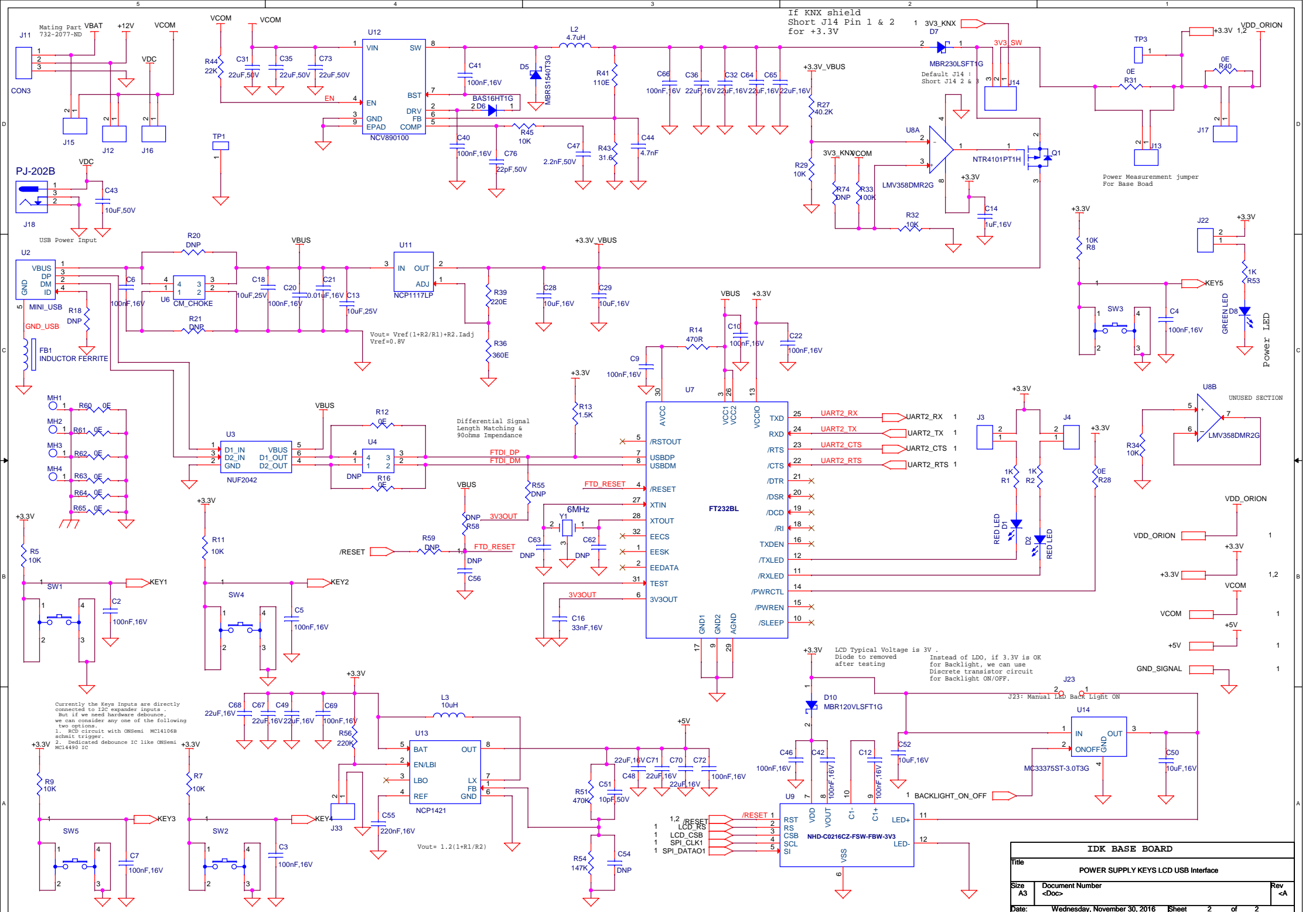


ORION BASE BOARD



IDK BASE BOARD			
Title	<Orion SoC & Arduino>		
Size	A3	Document Number	<Doc>
Date:	Wednesday, November 30, 2016	Sheet	1 of 2



If KNX shield Short J14 Pin 1 & 2 for +3.3V

Default J14 : Short J14 2 & 3

Power Measurement jumper For Base Board

Power: LED

UNUSED SECTION

Currently the Keys Inputs are directly connected to I2C expander inputs. But if we need hardware debounce, we can consider any one of the following two options:
 1. RCD circuit with ONsemi MC14106B Schmitt trigger.
 2. Dedicated debounce IC like ONsemi MC14490 IC

LCD Typical Voltage is 3V. Diode to removed after testing. Instead of LDO, if 3.3V is OK for Backlight, we can use Discrete transistor circuit for Backlight ON/OFF.

IDK BASE BOARD			
Title	POWER SUPPLY KEYS LCD USB Interface		
Size	A3	Document Number	<Doc>
Date:	Wednesday, November 30, 2016	Sheet	2 of 2