

NCP10672F12GEVB



NCP10672 Flyback Converter Universal AC Mains, Up to 4.8 Watt Isolated Power Supply

ON Semiconductor®

www.onsemi.com

EVAl BOARD USER'S MANUAL

Overview

This evaluation board manual describes a simple and low power (up to 4.8 W) flyback converter designed to be operated in universal input lines. The converter provides constant voltage multiple outputs. The supply can be used for powering utility electric meters, white goods or similar industrial equipments where isolation from the AC mains is required. The main benefits of provided solution are high efficiency, cost effectiveness and low no-load power consumption. The converter is utilizing monolithic ON Semiconductor switcher NCP10672 integrated with R_{DSON}, 12 Ω MOSFET in a SOIC 7 package. The evaluation board manual provides complete circuit diagram and bill of materials.

Key Features

- Universal AC Input Range (90 ~ 264 Vac)
- Very Low No-load Power Consumption

- Skip-Cycle Operation at Low Peak Currents Only
- Frequency Jittering for Better EMI Signature
- Current-Mode Fixed Frequency Operation – 100 kHz
- Input Filter for Conducted EMI Attenuation

Circuit Description

The Flyback converter is composed of the high voltage switching regulator U1, transformer T1, freewheeling diode D8, D9. Electrolytic-Capacitor EC1, EC4, EC5 and EC6 are used as the output filtering and energy storage. Resistor R12, R13, capacitor C5 and diode D4 are forming voltage clamp for the switcher drain. Opto-coupler U2, and shunt regulator U3 is used in feedback network. Resistors R8 and R9 form resistive divider and sets output voltage. Diode D6 and elector-capacitor EC3 provide supply voltage for U1 V_{cc} from auxiliary winding.

Table 1. GENERAL INFORMATIONS

Parameter	Value
Input Voltage Range	90 Vac to 264 Vac
Output Voltage	12 V
	5 V
Maximum Output Current	300 mA [12 V]
	250 mA [5 V]
Output Power	4.8 W
Operating Frequency @ Full Load Condition	100 kHz
Input Protection	Fuse
Operating Temperature Range	0°C to + 50°C
No-load Power Consumption	< 50 mW over whole input lines

NCP10672F12GEVB

Schematics

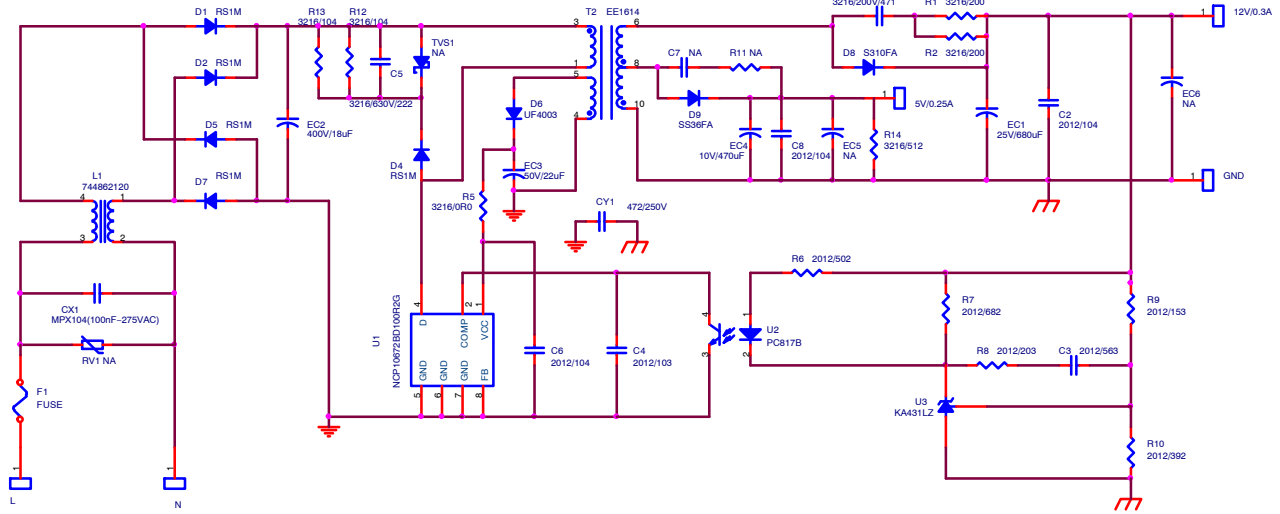


Figure 1. Evaluation Board Schematic

Evaluation Board



Figure 2. Top Side of Evaluation Board

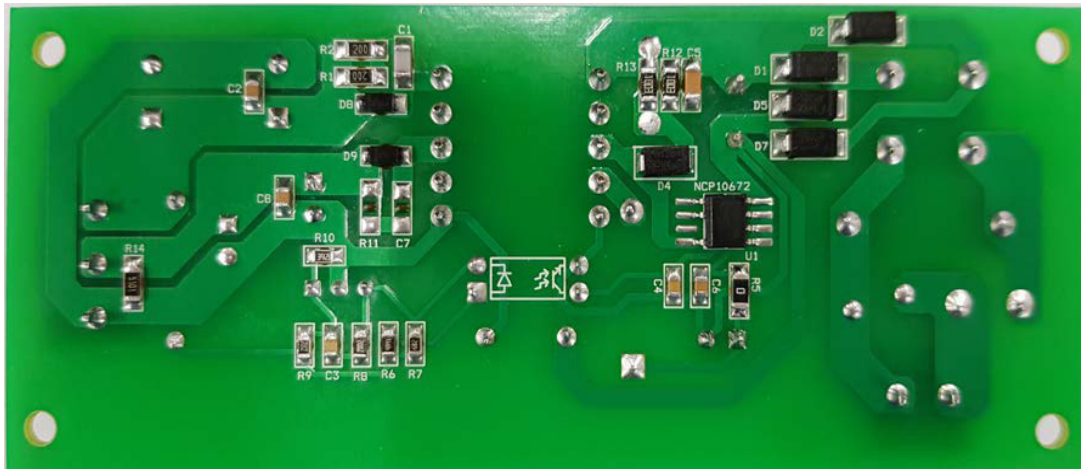


Figure 3. Bottom Side of Evaluation Board

NCP10672F12GEVB

Table 2. BILL OF MATERIALS

Description	Location No.	Value	Part Name	Qty.	Vendor
X-Capacitor	CX1	100 nF	MPX104	1	Carli
Y-Capacitor	CY1	1.0 nF	DE2E3KY102MN3AM02F	1	Murata
Ceramic Capacitor	C1	3216, 470 pF / 200 V	C1206C471J2GACTU	1	Kemet
Ceramic Capacitor	C2, C6, C8	2012, 100 nF / 50 V	C0805C104K5RACTU	3	Kemet
Ceramic Capacitor	C3	2012, 56 nF / 50 V	C0805C563K5RACTU	1	Kemet
Ceramic Capacitor	C4	2012, 10 nF / 50 V	C0805C103K5RACTU	1	Kemet
Ceramic Capacitor	C5	3216, 2.2 nF / 1 kV	C1206C222kDRACTU	1	Kemet
Diode	D1, D2, D4, D5, D7	RS1M	RS1M	5	ON Semi
Diode	D3	S310FA	S310FA	1	ON Semi
Diode	D6	UF4003	UF4003	1	ON Semi
Diode	D8	SS36FA	SS36FA	1	ON Semi
Electrolytic Capacitor	EC1	680 uF, 25 V	SHL, 25 V / 680 uF	1	Samyoung
Electrolytic Capacitor	EC2	18 uF, 400 V	RK, 400 V / 18 uF	1	Aishi
Electrolytic Capacitor	EC3	22 uF, 50 V	NXH, 50 V / 22 uF	1	Samyoung
Electrolytic Capacitor	EC4	470 uF, 10 V	SHL, 10 V / 470 uF	1	Samyoung
Switcher	U1	NCP10672B, 100 kHz	NCP10672BD100R2G	1	ON Semi
Opto-Coupler	U2	PC817B	PC817B	1	ON Semi
Shunt Regulator	U3	KA431LZ	KA431LZ	1	ON Semi
Common Mode Choke	L1	744862120	744862120	1	Würth
Fuse	F1	250 V, 1.25 A	BK/S500-V-1.25R	1	Bussmann
Resistor	R1, R2	3216, 200 Ω	RC1206JR-0720RL	2	Yageo
Resistor	R5	3216, 0 Ω	RC1206JR-070RL	1	Yageo
Resistor	R6	2012, 5 kΩ	RC0805JR-075KL	1	Yageo
Resistor	R7	2012, 6.8 kΩ	RC0805JR-076K8L	1	Yageo
Resistor	R8	2012, 20 kΩ	RC0805JR-0720KL	1	Yageo
Resistor	R9	2012, 15 kΩ	RC0805JR-0715kL	1	Yageo
Resistor	R10	2012, 3.9 kΩ	RC0805JR-073K9L	1	Yageo
Resistor	R12, R13	2012, 100 kΩ	RC1206JR-07100KL	2	Yageo
Resistor	R14	2012, 5.1 kΩ	RC1206JR-075K1L	1	Yageo
Transformer	T2	EE1614, 10pin	EE1614, V10p	1	
Connector	Con1	Terminal Block	395430002	1	Molex
Connector	Con2	Terminal Block	395430003	1	Molex
Not Assembly	TVS1, RV1, EC5, EC6, C7, R11		NC		

NCP10672F12GEVB

Transformer Specification

EE1614 which has 18.4 mm² of effective area is utilized for small form factor flyback converter design. In order to minimize leakage inductance, the primary winding was splitted on either side of the secondary to make primary winding as close as possible with secondary winding and the triple insulated wires for secondary winding were used to be able to maximize all windings in bobbin window length.

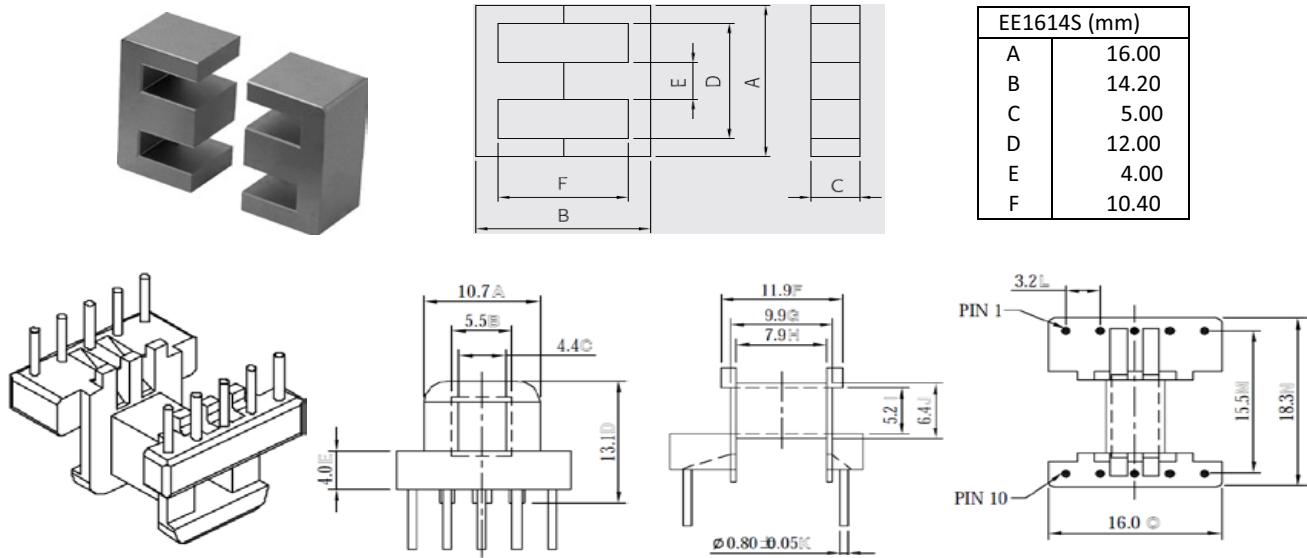


Figure 4. Core and Bobbin Dimension

Table 3. TRANSFORMER WINDING METHOD

Winding	Pin (S → F)	Wire	Turns	Winding Method
N _{P-1}	3 → 2	0.15 φ	88 Ts	Solenoid Winding
Insulation: Polyester Tape t = 0.025 mm, 3 Layers				
N _{S-1}	10 → 8	0.2 φ [TIW]	9 Ts	Solenoid Winding
N _{S-2}	8 → 6	0.2 φ [TIW]	8 Ts	Solenoid Winding
Insulation: Polyester Tape t = 0.025 mm, 3 Layers				
N _{P-2}	2 → 1	0.15 φ	43 Ts	Solenoid Winding
Insulation: Polyester Tape t = 0.025 mm, 3 Layers				
N _A	4 → 5	0.15 φ	14 Ts	Solenoid Winding
Insulation: Polyester Tape t = 0.025 mm, 3 Layers				

NOTE: Design parameters: L_p = 1.15 mH at pin 1 – 3, f = 100 kHz

NCP10672F12GEVB

System Efficiency

The efficiency was measured in 30 minutes since started at each line.

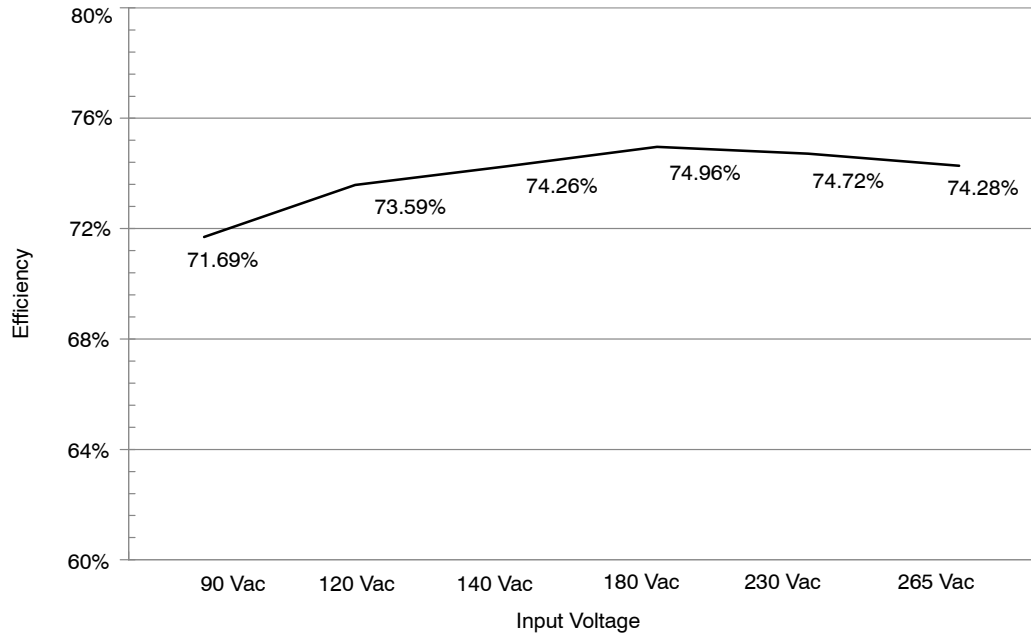


Figure 5. Efficiency for Input Lines

No-Load Power Consumption

The input power was measured in 10 minutes since started at each line.

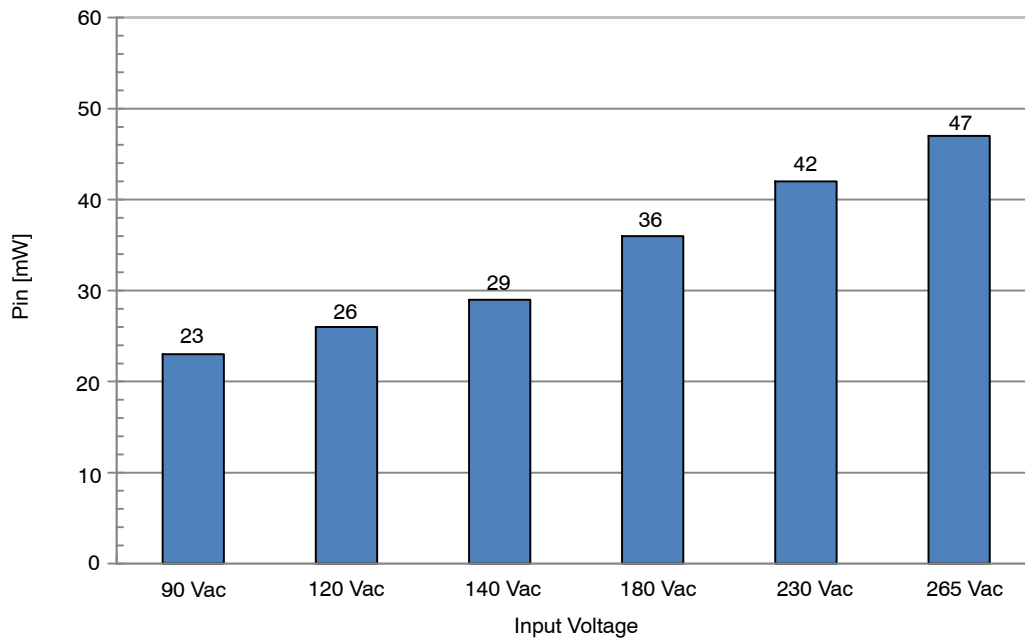


Figure 6. Power Consumption

NCP10672F12GEVB

EMI

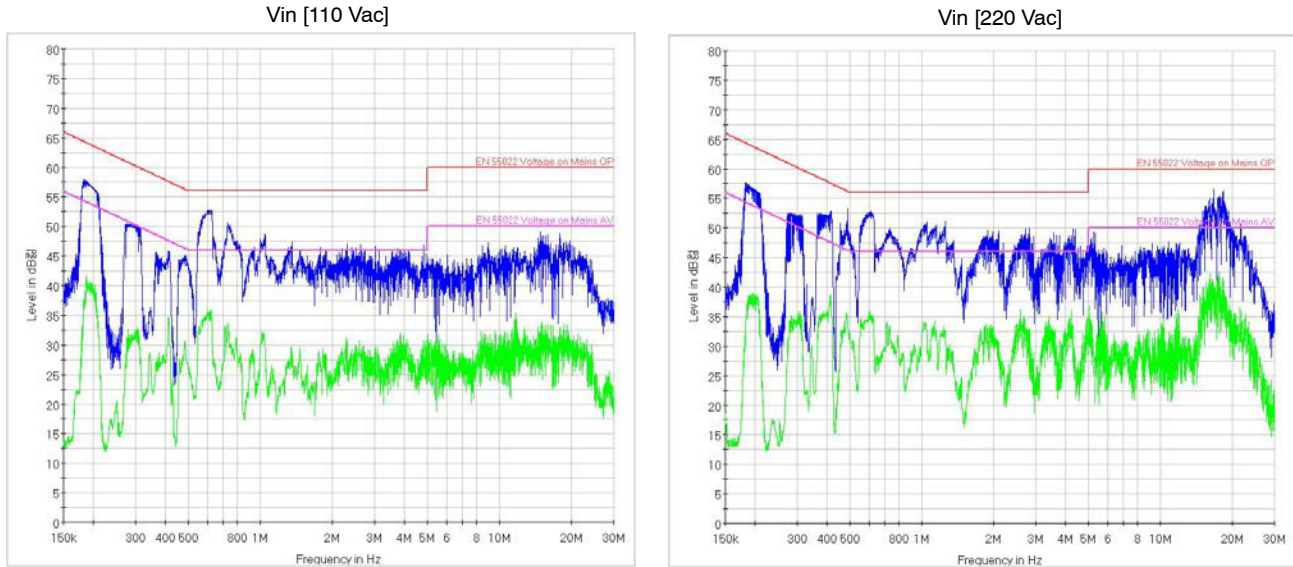
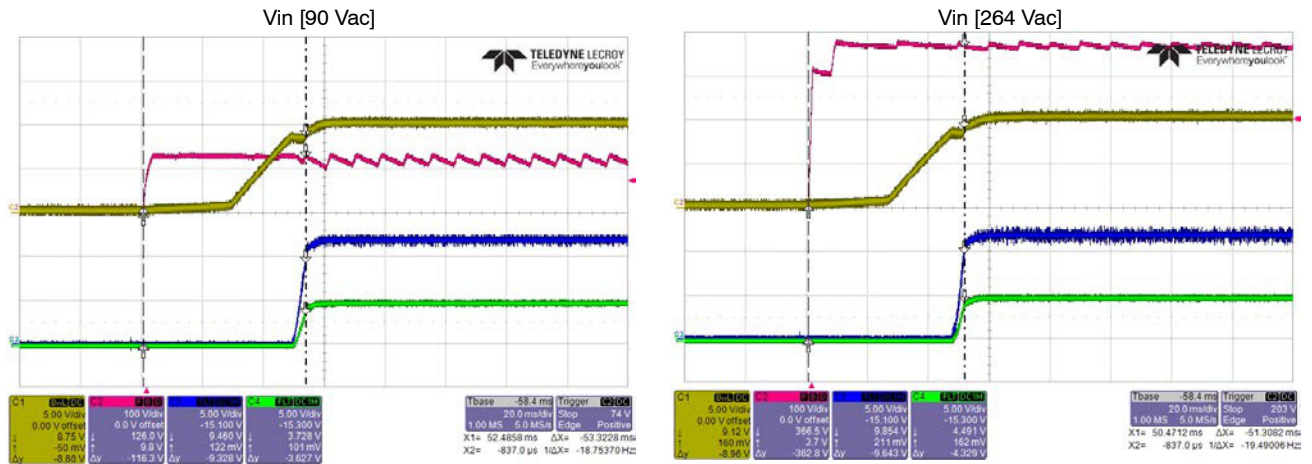


Figure 7. Conducted Emission at Full Load

Startup Time

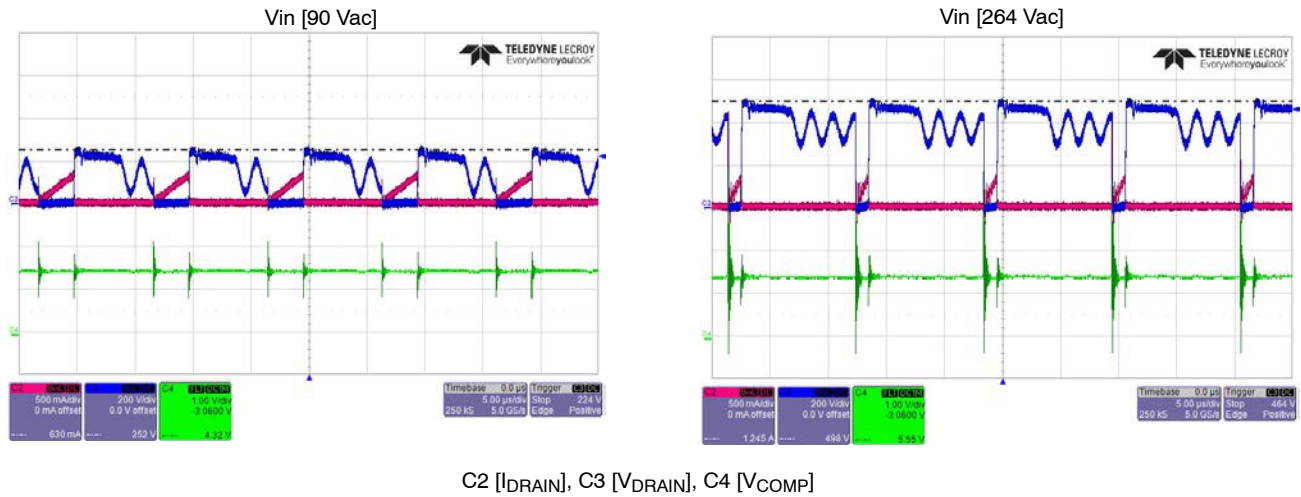


C1 [V_{DD}], C2 [V_{BULK}], C3 [V_{OUT-12} v], C4 [V_{OUT-5} v]

Figure 8. Startup Time at Full Load

NCP10672F12GEVB

Normal Operation at Full Load



C2 [IDRAIN], C3 [VDRAIN], C4 [VCOMP]
Figure 9. Switching Voltage & Current Waveform at Full Load

IC Temperature

IC temperature was measured in 2 hours since started at full load.

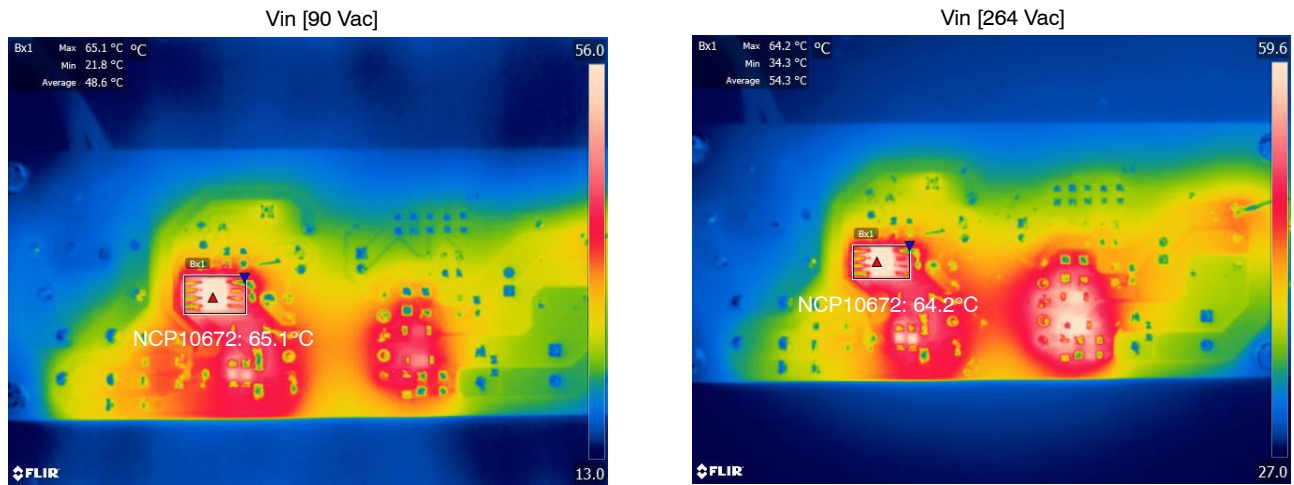


Figure 10. IC Temperature at Full Load

Reference

- [1] ON Semiconductor datasheet for [NCP10672B](#) monolithic switcher
- [2] ON Semiconductor [NCP10672 Technical Documentation & Design Resources](#)

onsemi, **Onsemi**, and other names, marks, and brands are registered and/or common law trademarks of Semiconductor Components Industries, LLC dba "**onsemi**" or its affiliates and/or subsidiaries in the United States and/or other countries. **onsemi** owns the rights to a number of patents, trademarks, copyrights, trade secrets, and other intellectual property. A listing of **onsemi**'s product/patent coverage may be accessed at www.onsemi.com/site/pdf/Patent-Marking.pdf. **onsemi** is an Equal Opportunity/Affirmative Action Employer. This literature is subject to all applicable copyright laws and is not for resale in any manner.

The evaluation board/kit (research and development board/kit) (hereinafter the "board") is not a finished product and is not available for sale to consumers. The board is only intended for research, development, demonstration and evaluation purposes and will only be used in laboratory/development areas by persons with an engineering/technical training and familiar with the risks associated with handling electrical/mechanical components, systems and subsystems. This person assumes full responsibility/liability for proper and safe handling. Any other use, resale or redistribution for any other purpose is strictly prohibited.

THE BOARD IS PROVIDED BY ONSEMI TO YOU "AS IS" AND WITHOUT ANY REPRESENTATIONS OR WARRANTIES WHATSOEVER. WITHOUT LIMITING THE FOREGOING, ONSEMI (AND ITS LICENSORS/SUPPLIERS) HEREBY DISCLAIMS ANY AND ALL REPRESENTATIONS AND WARRANTIES IN RELATION TO THE BOARD, ANY MODIFICATIONS, OR THIS AGREEMENT, WHETHER EXPRESS, IMPLIED, STATUTORY OR OTHERWISE, INCLUDING WITHOUT LIMITATION ANY AND ALL REPRESENTATIONS AND WARRANTIES OF MERCHANTABILITY, FITNESS FOR A PARTICULAR PURPOSE, TITLE, NON-INFRINGEMENT, AND THOSE ARISING FROM A COURSE OF DEALING, TRADE USAGE, TRADE CUSTOM OR TRADE PRACTICE.

onsemi reserves the right to make changes without further notice to any board.

You are responsible for determining whether the board will be suitable for your intended use or application or will achieve your intended results. Prior to using or distributing any systems that have been evaluated, designed or tested using the board, you agree to test and validate your design to confirm the functionality for your application. Any technical, applications or design information or advice, quality characterization, reliability data or other services provided by **onsemi** shall not constitute any representation or warranty by **onsemi**, and no additional obligations or liabilities shall arise from **onsemi** having provided such information or services.

onsemi products including the boards are not designed, intended, or authorized for use in life support systems, or any FDA Class 3 medical devices or medical devices with a similar or equivalent classification in a foreign jurisdiction, or any devices intended for implantation in the human body. You agree to indemnify, defend and hold harmless **onsemi**, its directors, officers, employees, representatives, agents, subsidiaries, affiliates, distributors, and assigns, against any and all liabilities, losses, costs, damages, judgments, and expenses, arising out of any claim, demand, investigation, lawsuit, regulatory action or cause of action arising out of or associated with any unauthorized use, even if such claim alleges that **onsemi** was negligent regarding the design or manufacture of any products and/or the board.

This evaluation board/kit does not fall within the scope of the European Union directives regarding electromagnetic compatibility, restricted substances (RoHS), recycling (WEEE), FCC, CE or UL, and may not meet the technical requirements of these or other related directives.

FCC WARNING – This evaluation board/kit is intended for use for engineering development, demonstration, or evaluation purposes only and is not considered by **onsemi** to be a finished end product fit for general consumer use. It may generate, use, or radiate radio frequency energy and has not been tested for compliance with the limits of computing devices pursuant to part 15 of FCC rules, which are designed to provide reasonable protection against radio frequency interference. Operation of this equipment may cause interference with radio communications, in which case the user shall be responsible, at its expense, to take whatever measures may be required to correct this interference.

onsemi does not convey any license under its patent rights nor the rights of others.

LIMITATIONS OF LIABILITY: **onsemi** shall not be liable for any special, consequential, incidental, indirect or punitive damages, including, but not limited to the costs of requalification, delay, loss of profits or goodwill, arising out of or in connection with the board, even if **onsemi** is advised of the possibility of such damages. In no event shall **onsemi**'s aggregate liability from any obligation arising out of or in connection with the board, under any theory of liability, exceed the purchase price paid for the board, if any.

The board is provided to you subject to the license and other terms per **onsemi**'s standard terms and conditions of sale. For more information and documentation, please visit www.onsemi.com.

ADDITIONAL INFORMATION

TECHNICAL PUBLICATIONS:

Technical Library: www.onsemi.com/design/resources/technical-documentation
onsemi Website: www.onsemi.com

ONLINE SUPPORT: www.onsemi.com/support

For additional information, please contact your local Sales Representative at www.onsemi.com/support/sales