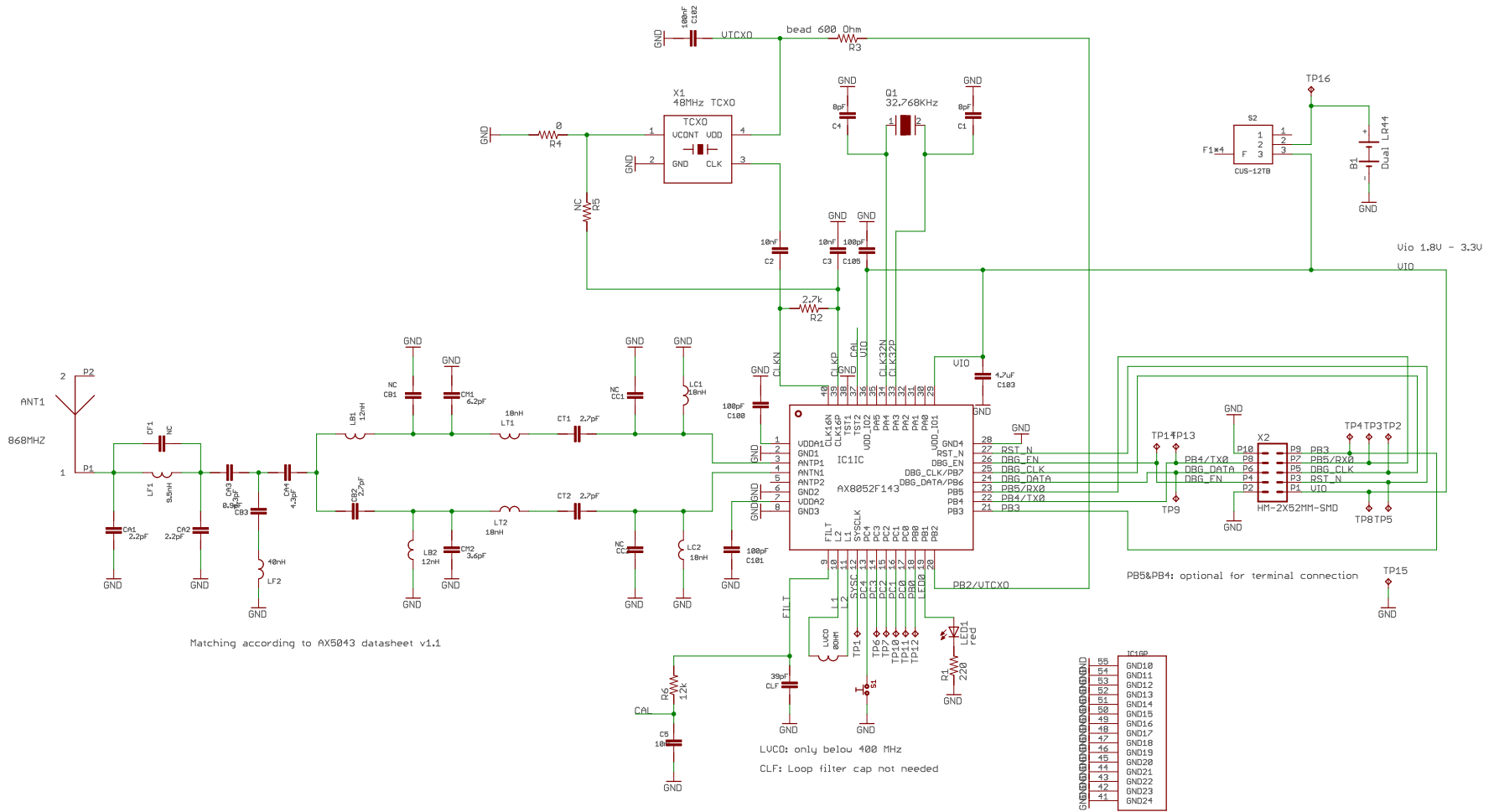


Schematic for the F143-MINI-B-MOD-GEVB Evaluation Board



TITLE: F143-MINI-KIT-ANT_v3-5

Date: 1/10/2018 12:20 PM

Sheet: 1/1