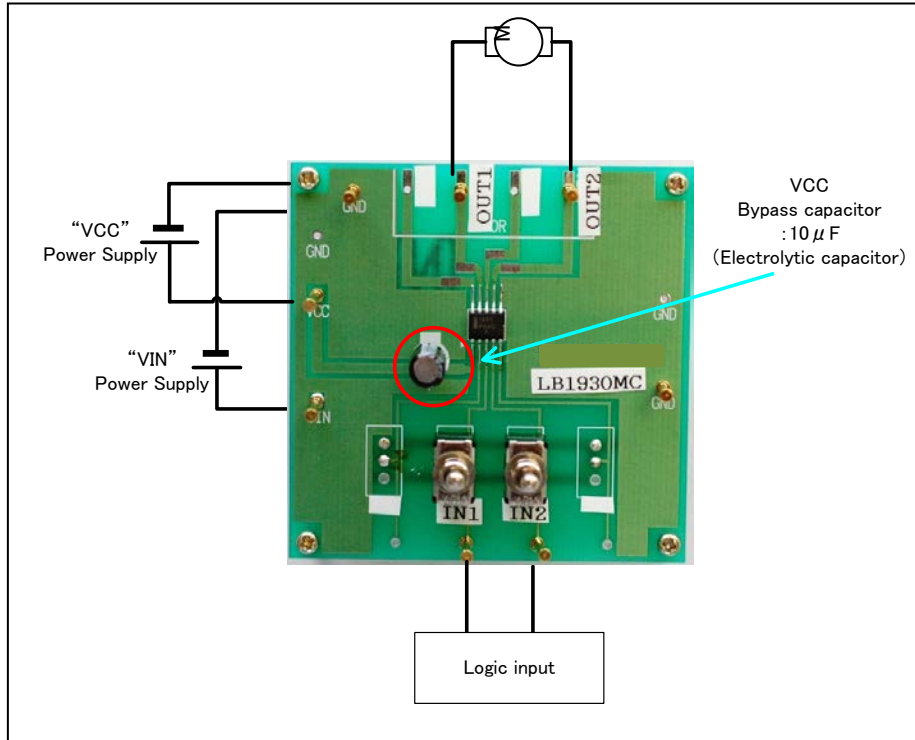


Test Procedure for the LB1930MCEVB Evaluation Board



LB1930M C (57.0mm×57.0mm×1.6mm, glass epoxy 2-layer board)

base on LV8548M board

Demonstration Board Manual

[Supply Voltage] VCC (2.2 to 10.8V): Power Supply for LSI

[Toggle Switch State] Upper Side: High (VIN)
 Middle: Open, enable to external logic input
 Lower Side: Low (GND)

[Operation Guide]

For DC motor control

1. **Initial Condition Setting:** Set the toggle switches “Open or Low”
2. **Motor Connection:** Connect the Motor(s) between OUT1 and OUT2.
3. **Power Supply:** Supply DC voltage to VCC, VIN.
4. **Motor Operation:** Set IN1 and IN2 terminals according to the purpose (See LB1930M datasheet).

○ Truth value table

IN1	IN2	OUT1	OUT2	Mode
L	L	OFF	OFF	Standby
H	L	H	L	Forward
L	H	L	H	Reverse
H	H	H	H	Brake

DCmotor load VCC=3V IN2="H"

Current waveform example “brake current”

