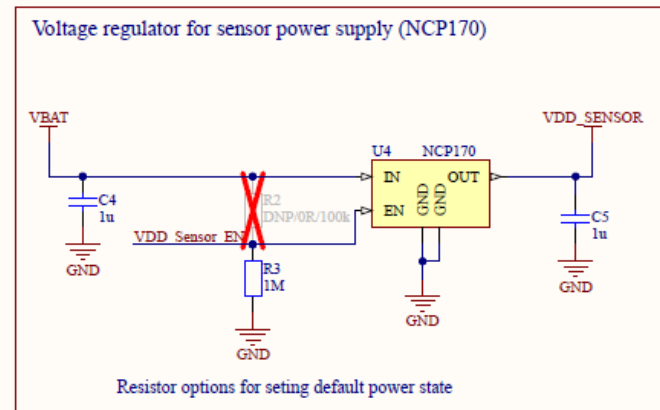
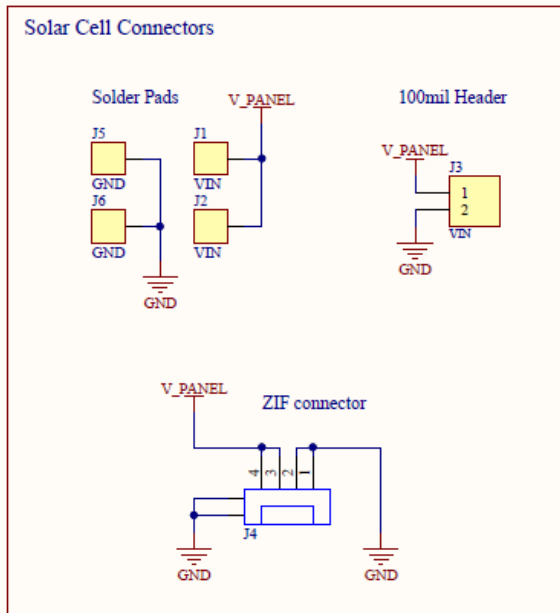
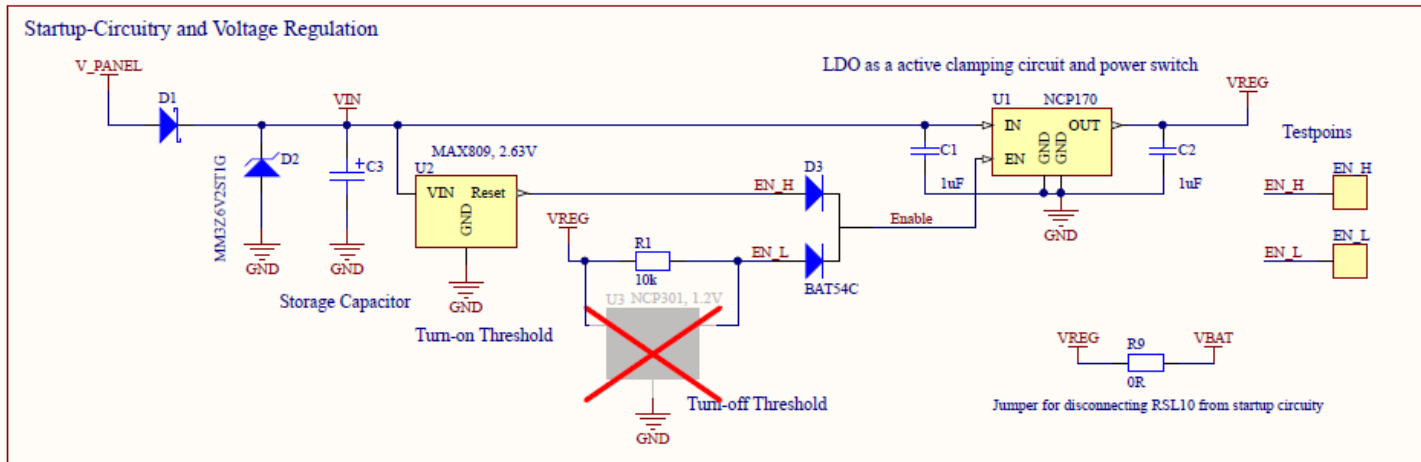
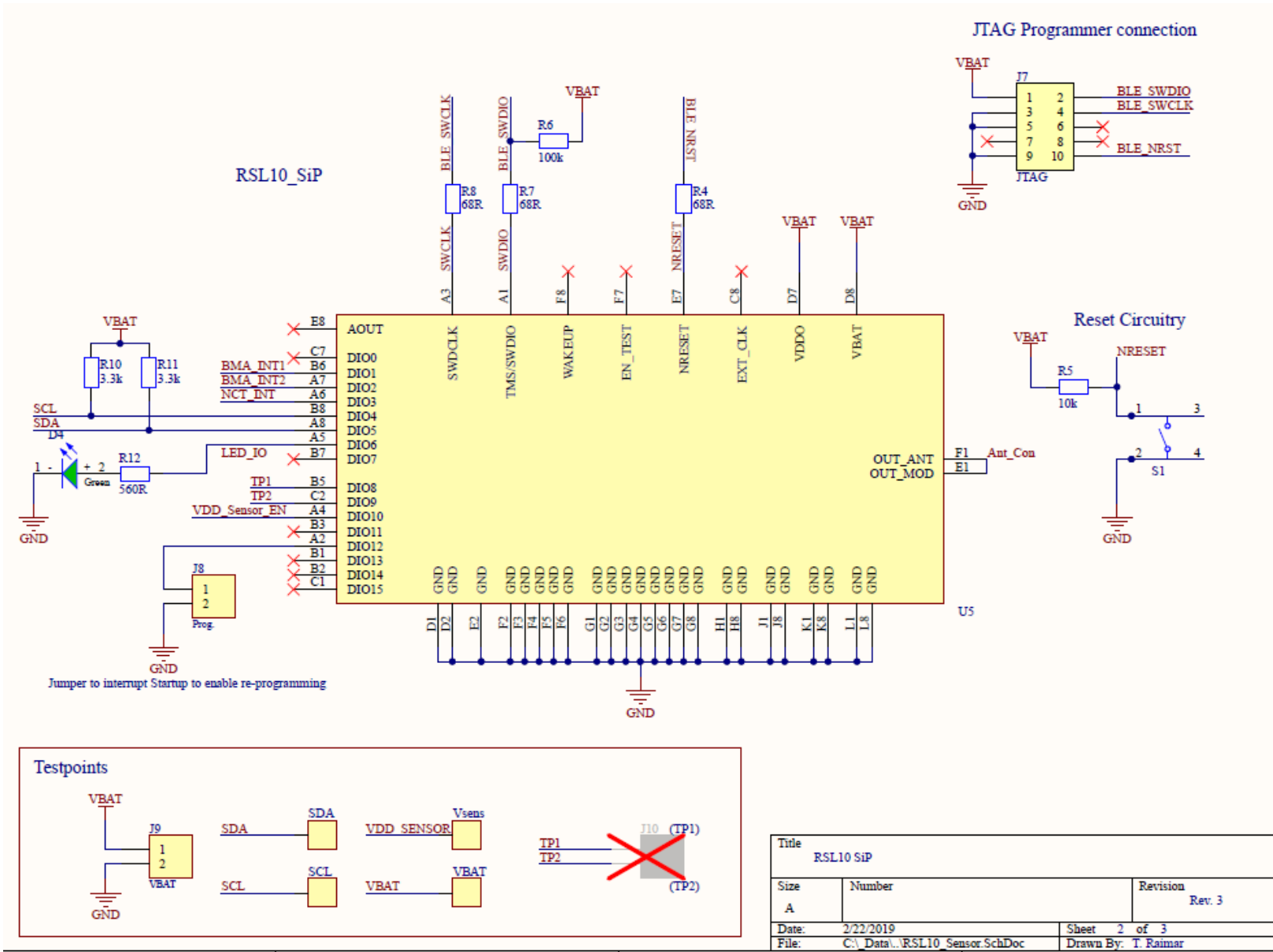


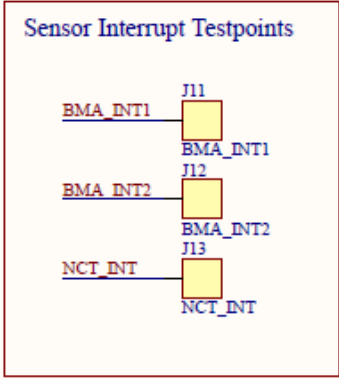
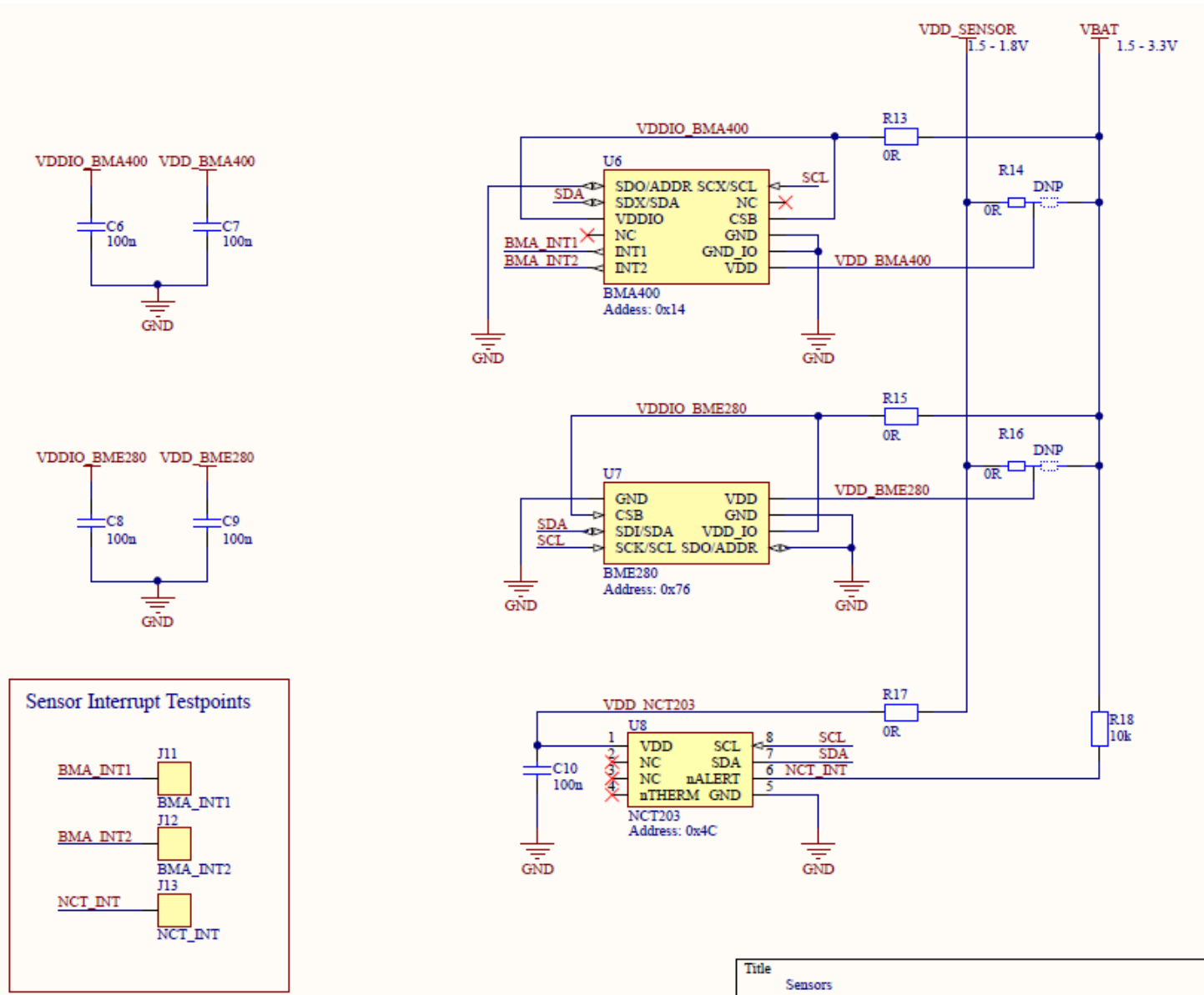
## Schematic for the RSL10-SOLARSENS-GEVK Evaluation Board



Title		
Solar Harvesting Power Supply		
Size	Number	Revision
A		Rev. 2
Date:	2/22/2019	Sheet 1 of 3
File:	C:\Data\...Power_Supply.SchDoc	Drawn By: T. Raimar



Title		
RSL10 SiP		
Size	Number	Revision
A		Rev. 3
Date:	2/22/2019	Sheet 2 of 3
File:	C:\Data\RSL10_Sensor_SchDoc	Drawn By: T. Raimar



Title  
Sensors

