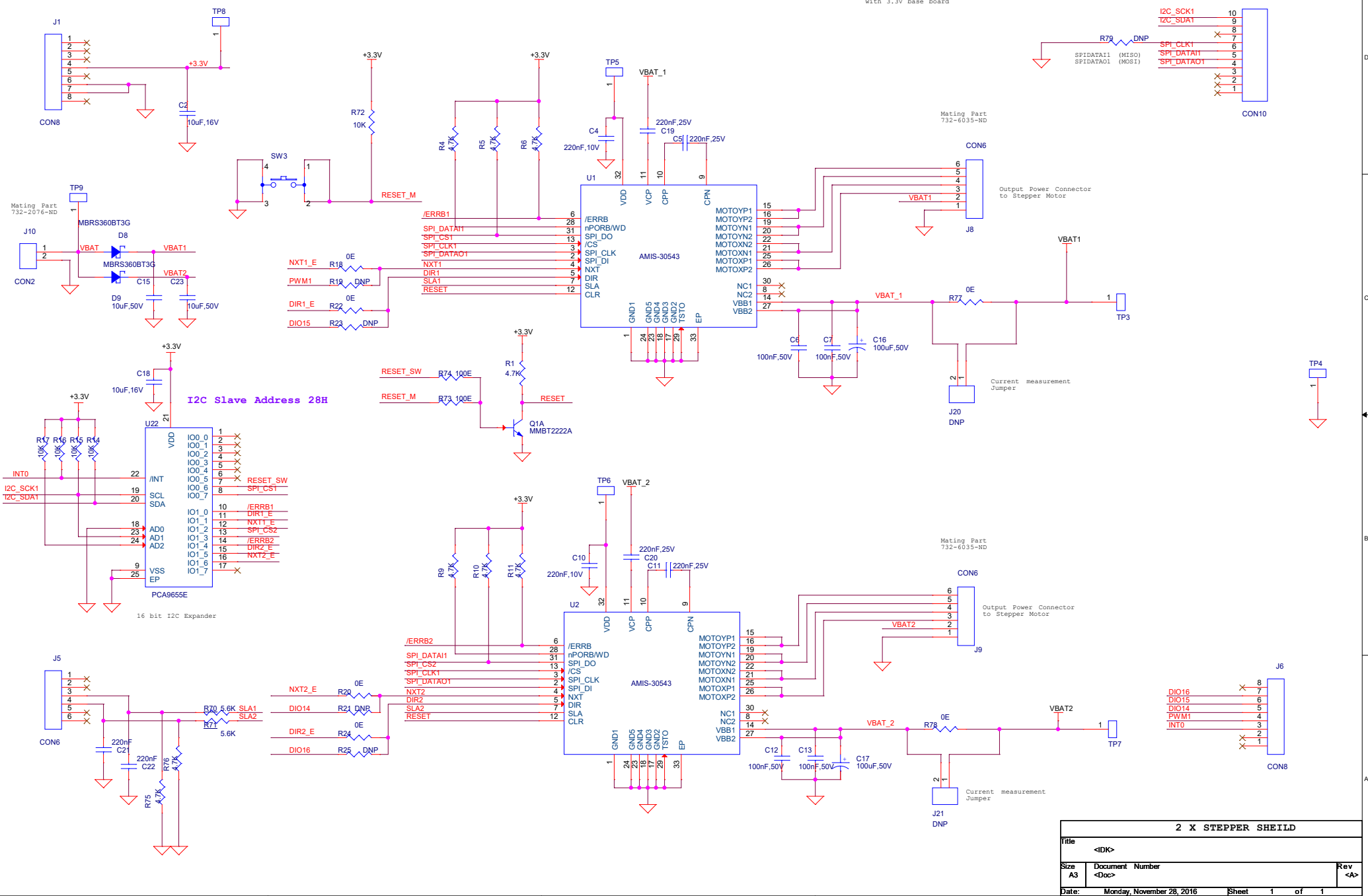


STEPPER SHEILD

Design Notes
Interface Level Voltage shifter
Not Required to interface
with 3.3V base board



| 2 X STEPPER SHEILD | | | |
|--------------------|---------------------------|-----------------|--------|
| Title | <IDK> | | |
| Size | A3 | Document Number | <Doc> |
| Date: | Monday, November 28, 2016 | Sheet | 1 of 1 |
| Rev | <A> | | |