

ON Semiconductor

Is Now

onsemi™

To learn more about onsemi™, please visit our website at
www.onsemi.com

onsemi and **onsemi** and other names, marks, and brands are registered and/or common law trademarks of Semiconductor Components Industries, LLC dba "**onsemi**" or its affiliates and/or subsidiaries in the United States and/or other countries. **onsemi** owns the rights to a number of patents, trademarks, copyrights, trade secrets, and other intellectual property. A listing of **onsemi** product/patent coverage may be accessed at www.onsemi.com/site/pdf/Patent-Marking.pdf. **onsemi** reserves the right to make changes at any time to any products or information herein, without notice. The information herein is provided "as-is" and **onsemi** makes no warranty, representation or guarantee regarding the accuracy of the information, product features, availability, functionality, or suitability of its products for any particular purpose, nor does **onsemi** assume any liability arising out of the application or use of any product or circuit, and specifically disclaims any and all liability, including without limitation special, consequential or incidental damages. Buyer is responsible for its products and applications using **onsemi** products, including compliance with all laws, regulations and safety requirements or standards, regardless of any support or applications information provided by **onsemi**. "Typical" parameters which may be provided in **onsemi** data sheets and/or specifications can and do vary in different applications and actual performance may vary over time. All operating parameters, including "Typicals" must be validated for each customer application by customer's technical experts. **onsemi** does not convey any license under any of its intellectual property rights nor the rights of others. **onsemi** products are not designed, intended, or authorized for use as a critical component in life support systems or any FDA Class 3 medical devices or medical devices with a same or similar classification in a foreign jurisdiction or any devices intended for implantation in the human body. Should Buyer purchase or use **onsemi** products for any such unintended or unauthorized application, Buyer shall indemnify and hold **onsemi** and its officers, employees, subsidiaries, affiliates, and distributors harmless against all claims, costs, damages, and expenses, and reasonable attorney fees arising out of, directly or indirectly, any claim of personal injury or death associated with such unintended or unauthorized use, even if such claim alleges that **onsemi** was negligent regarding the design or manufacture of the part. **onsemi** is an Equal Opportunity/Affirmative Action Employer. This literature is subject to all applicable copyright laws and is not for resale in any manner. Other names and brands may be claimed as the property of others.



Dual Output, 4W DC-DC Converter

ON Semiconductor

Device	Application	Input Voltage	Output Power	Topology	I/O Isolation
NCP1031	Vacuum Fluorescent Display power supply	26 Vdc	4 W	Flyback	Yes

	Output 1	Output 2
Output Voltage	5 V	14 V
Nominal Current	200 mA	200 mA

PFC (Yes/No)	No
Inrush Limiting / Fuse	NA
Operating Temp. Range	0 to +50°C
Cooling Method / Supply Orientation	Convection
Signal Level Control	No

Others	
--------	--

Circuit Description

This Design Note illustrates a dual output, 4 watt, isolated dc-to-dc converter originally intended for fluorescent lighting applications. The converter is designed around ON Semiconductor's NCP1031 monolithic dc-to-dc switcher IC. The chip contains all of the control functions for a low power converter including an integrated 200 volt internal Mosfet. This particular design, with the appropriate circuit and component modifications can also be made to operate with nominal dc input voltages anywhere from 12 volts to 70 Vdc and with other output voltages depending on the particular application.

The dc input includes an EMI/ripple filter comprised of L1 and C1 followed by a flyback dc-to-dc converter composed of transformer T1, and U1, the NCP1031 controller/Mosfet. Once started via the input voltage on pin 8, the controller operates from an auxiliary Vcc voltage generated by the lower primary side bias winding of T1. This voltage is rectified by D2 and filtered by Vcc capacitor C5.

The NCP1031 includes input over-voltage and under-voltage shutdown sensing via pins 5 and 6 respectively. To minimized voltage spikes created by T1's leakage inductance, the snubber network of D1, C3 and R1 is included. Output overload protection is also provided within the NCP1031 by sensing the peak Mosfet current.

Output regulation is accomplished by sensing the 5 volt output, dividing the sense voltage to 2.5 volts with R9 and R10, and utilizing a TL431 programmable zener as an error amplifier to drive a feedback signal to U1 via optocoupler U2. Loop phase compensation is provided by R11 and C13. A ripple filter is provided by L2 and C10 to reduce the 5 volt output ripple and noise to a very low level.

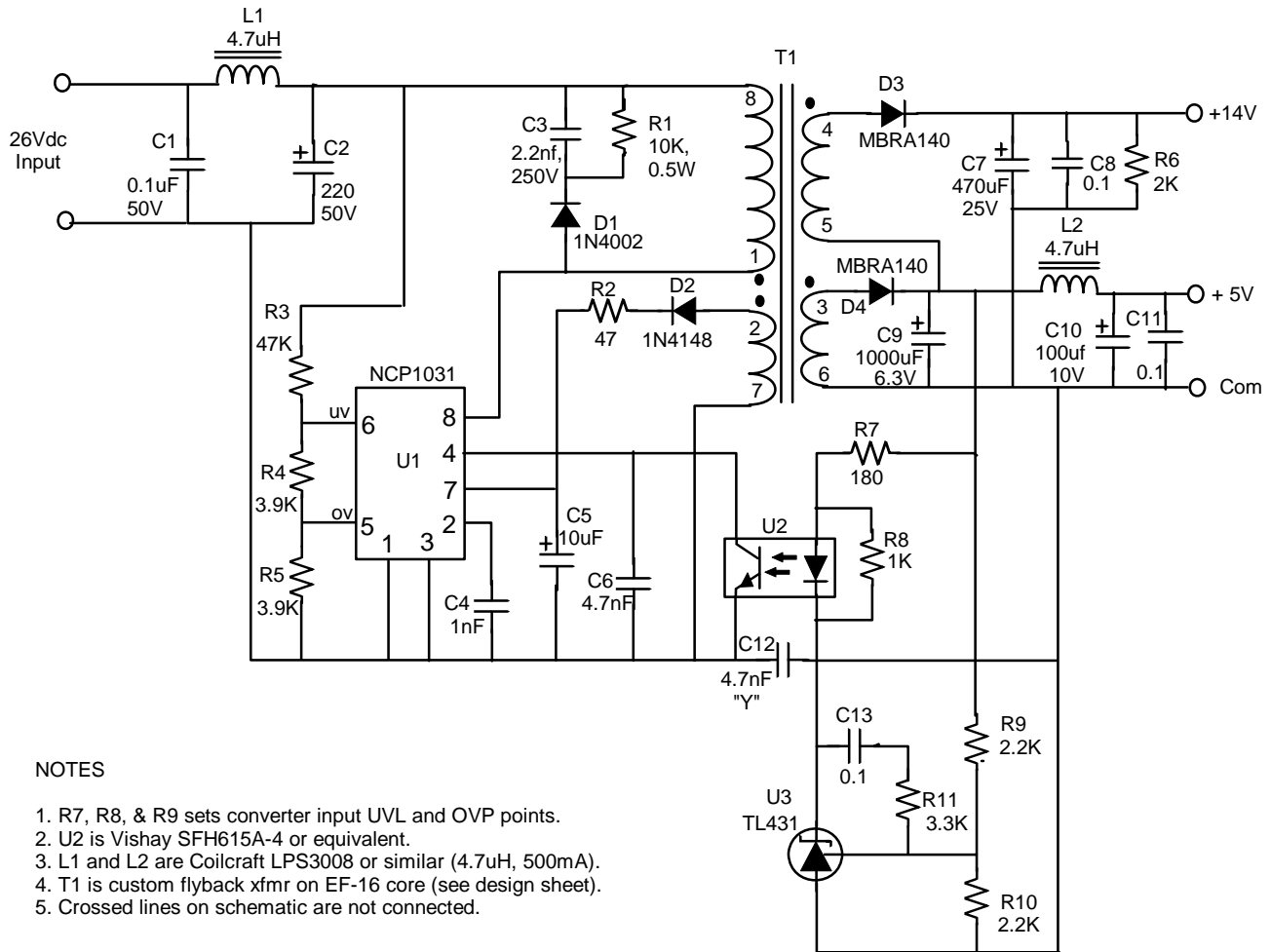
The 14 volt output is developed by "stacking" an additional number of transformer secondary turns on top of the 5 volt output. This stacked winding technique provides enhanced regulation of the "quasi-regulated" 14 volt output due to the fact that the initial 5 volts of this output is the fully regulated 5 volt output. A small pre-load (R6) is provided to avoid upward voltage creep if the 14 volt output is unloaded.

Key Features

- Input EMI/ripple filter
- Simple, inexpensive flyback topology using monolithic dc-dc switching IC
- Dual regulated outputs
- Input UV and OV protection in addition to output short circuit protection
- Can be easily tailored for other input – output voltage configurations by changing transformer turns ratio and appropriate component ratings

DN06046/D

Schematic



NOTES

1. R7, R8, & R9 sets converter input UVL and OVP points.
2. U2 is Vishay SFH615A-4 or equivalent.
3. L1 and L2 are Coilcraft LPS3008 or similar (4.7uH, 500mA).
4. T1 is custom flyback xfmr on EF-16 core (see design sheet).
5. Crossed lines on schematic are not connected.

Dual Output, 4 Watt DC-DC Converter using ON Semi NCP1031

Additional collateral from ON Semiconductor

- [NCP1031](#): Current Mode Controller Fixed Frequency Operation
- [MMSD4148](#) (1N4148): 100 V Switching Diode
- [TL431A](#): Programmable Precision Reference
- [MBR20100](#): 1A, 40 V Schottky Rectifier
- Application Note [AND8247](#): 5.0 W to 6.5 W Power Over Ethernet (PoE) DC-DC Converter
- Application Note [AND8119](#): Design of an Isolated 2 W Bias Supply for Telecom Systems Using the NCP1030
- Design Note [DN06007/D](#): Wide Input Range (20 Vdc to 140 Vdc) DC to DC Converter

Magnetics Design

NCP1031 Flyback Xfmr Design

Part Description: 5 watt, 200 kHz DCM flyback transformer, 5/14 volts out, 26 Vin

Schematic ID: T1

Core Type: Ferroxcube EF16 (E16/8/5); 3C95 material or similar

Core Gap: Gap for 60 - 70 uH

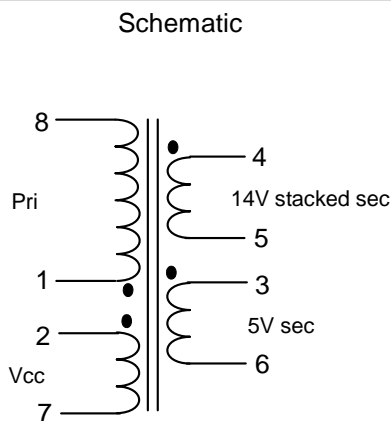
Inductance: 65 uH nominal

Bobbin Type: 8 pin horizontal mount for EF16

Windings (in order):

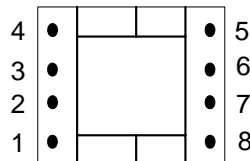
Winding # / type	Turns / Material / Gauge / Insulation Data
Vcc/Boost (2 - 7)	9 turns of #28HN spiral wound over 1 layer. Insulate with 1 layer of tape (250V insulation to next winding)
Primary (1 - 8)	24 turns of #28HN over 1 layer. Insulate for 500V minimum to the next winding.
5V Secondary (3 - 6)	5 turns of 2 strands of #28HN flat and spiral wound bifilar evenly over 1 layer; self leads to pins. Insulate with tape.
14V Secondary (4 - 5)	9 turns of 1 strand of #28HN spiral wound over 1 layer. Self leads to pins. Insulate with tape.

Hipot: 500V from Vcc boost/primary to secondaries



Lead Breakout / Pinout

(Bottom View - facing pins)



© 2008 ON Semiconductor.

Disclaimer: ON Semiconductor is providing this design note "AS IS" and does not assume any liability arising from its use; nor does ON Semiconductor convey any license to its or any third party's intellectual property rights. This document is provided only to assist customers in evaluation of the referenced circuit implementation and the recipient assumes all liability and risk associated with its use, including, but not limited to, compliance with all regulatory standards. ON Semiconductor may change any of its products at any time, without notice.

Design note created by Frank Cathell, e-mail: f.cathell@onsemi.com