

NB6L295MNGEVB, NB6L295MMNGEVB



ON Semiconductor®

<http://onsemi.com>

NB6L295MNG/ NB6L295MMNG Evaluation Board User's Manual

EVAL BOARD USER'S MANUAL

Introduction and Board Description

The NB6L295M Evaluation Board was designed to provide a flexible and convenient platform to quickly evaluate, characterize and verify the operation and performance of either the NB6L295MMNG (CML) or the NB6L295MNG (LVPECL) Dual Channel Programmable Delay.

This evaluation board manual contains:

- Information on the NB6L295M Evaluation Board
- Appropriate Lab Setup
- Detailed Board Features
- Bill of Materials

This manual should be used in conjunction with the device datasheet NB6L295M/D or NB6L295/D which contains full technical details on the device specifications and operation.

The NB6L295M Evaluation Board was also designed to accommodate a custom QFN-24 socket. Therefore, some external components were installed on the bottom side of the board.

Board Features

- On board programmable SDI circuitry minimizing cabling, or, external SDI accessed through SMA connectors.
- Convenient and compact board layout
- 2.5 V or 3.3 V single or split-power supply operation (banana jack connectors for VCC, SMAGND and DUTGND; Separate PLDVCC power supply for on board PLD)
- CML or LVPECL differential output signals are accessed via SMA connectors with provision for load termination resistors

- SMA connectors are provided for 1) all high-speed differential input & (CML or LVPECL) output signals and 2) for external SDI & control signals access

Board Layout

The evaluation board is constructed in four layers. The top layer is the primary trace layer and is made with polyimide material. This layer provides a high-bandwidth 50 Ω controlled trace impedance environment for the equal length inputs and outputs. The second layer is a copper ground plane.

Layer Stack

- L1 Signal – “High and Low Speed”
- L2 SMA Ground
- L3 VCC (Device positive power supply) and DUTGND (Device negative power supply)
- L4 Signal – “Low Speed”

What measurements can you expect to make?

With this evaluation board, the following measurements could be performed in single ended or differential modes of operation.

- Propagation and Programmed Delay
- Output Rise and Fall Time
- Frequency Performance
- Jitter
- VCMR – Common Mode Range

NB6L295MNGEVB, NB6L295MMNGEVB

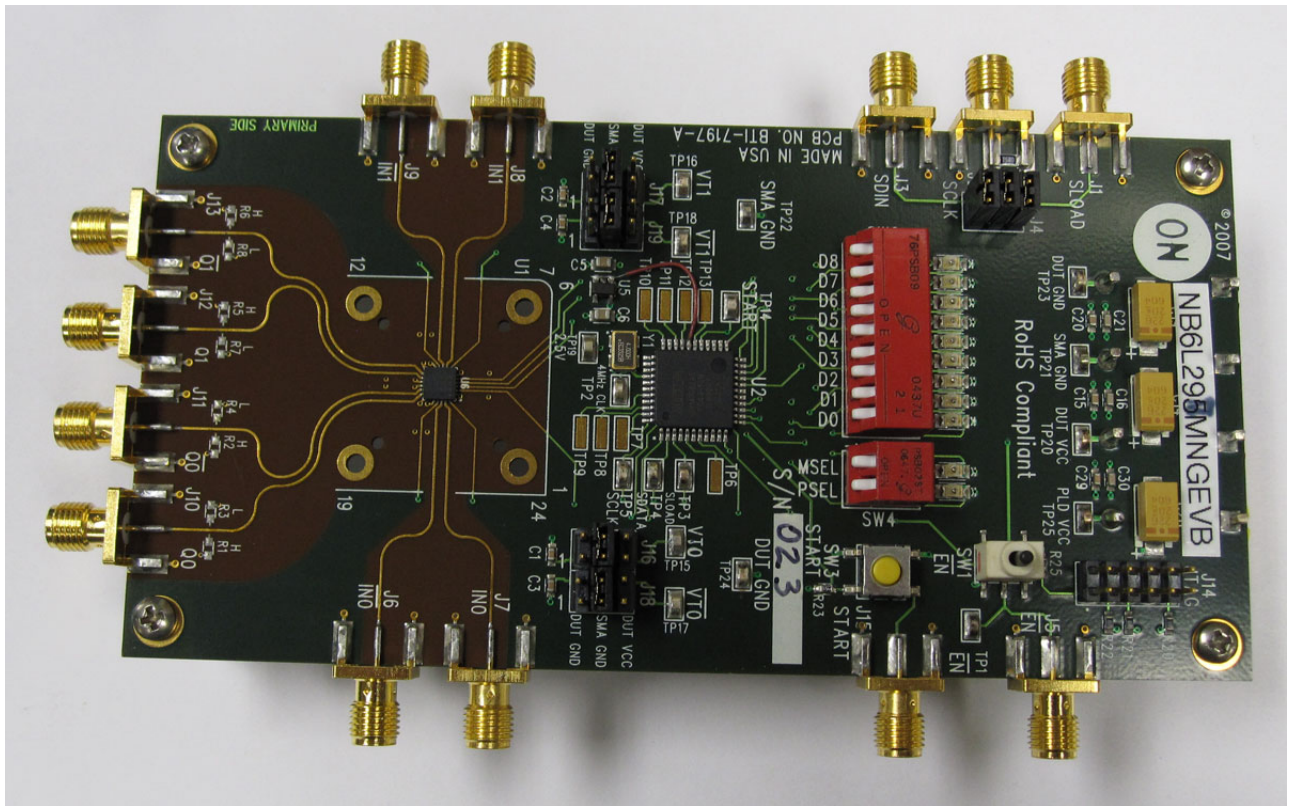


Figure 1. NB6L295MNGEVB Evaluation Board Photo

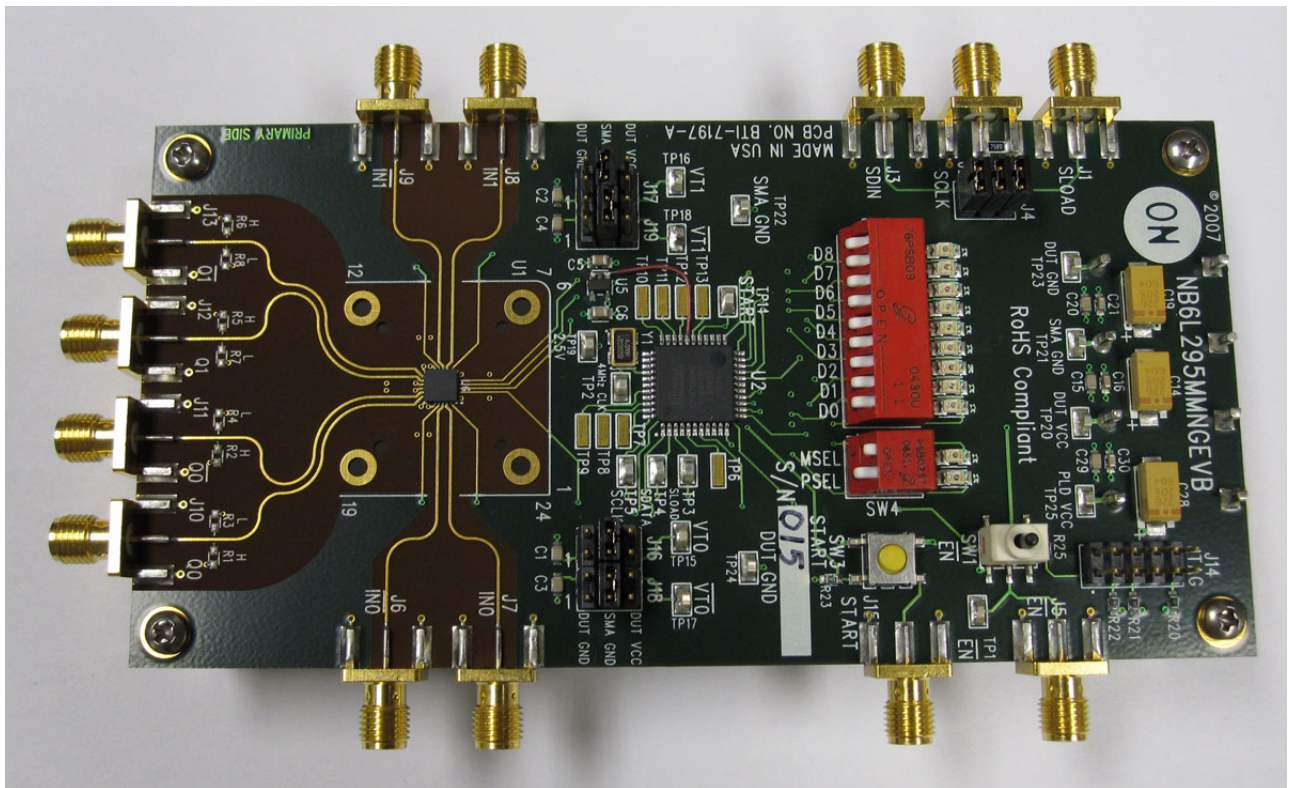


Figure 2. NB6L295MMNGEVB Evaluation Board Photo

NB6L295MNGEVB, NB6L295MMNGEVB

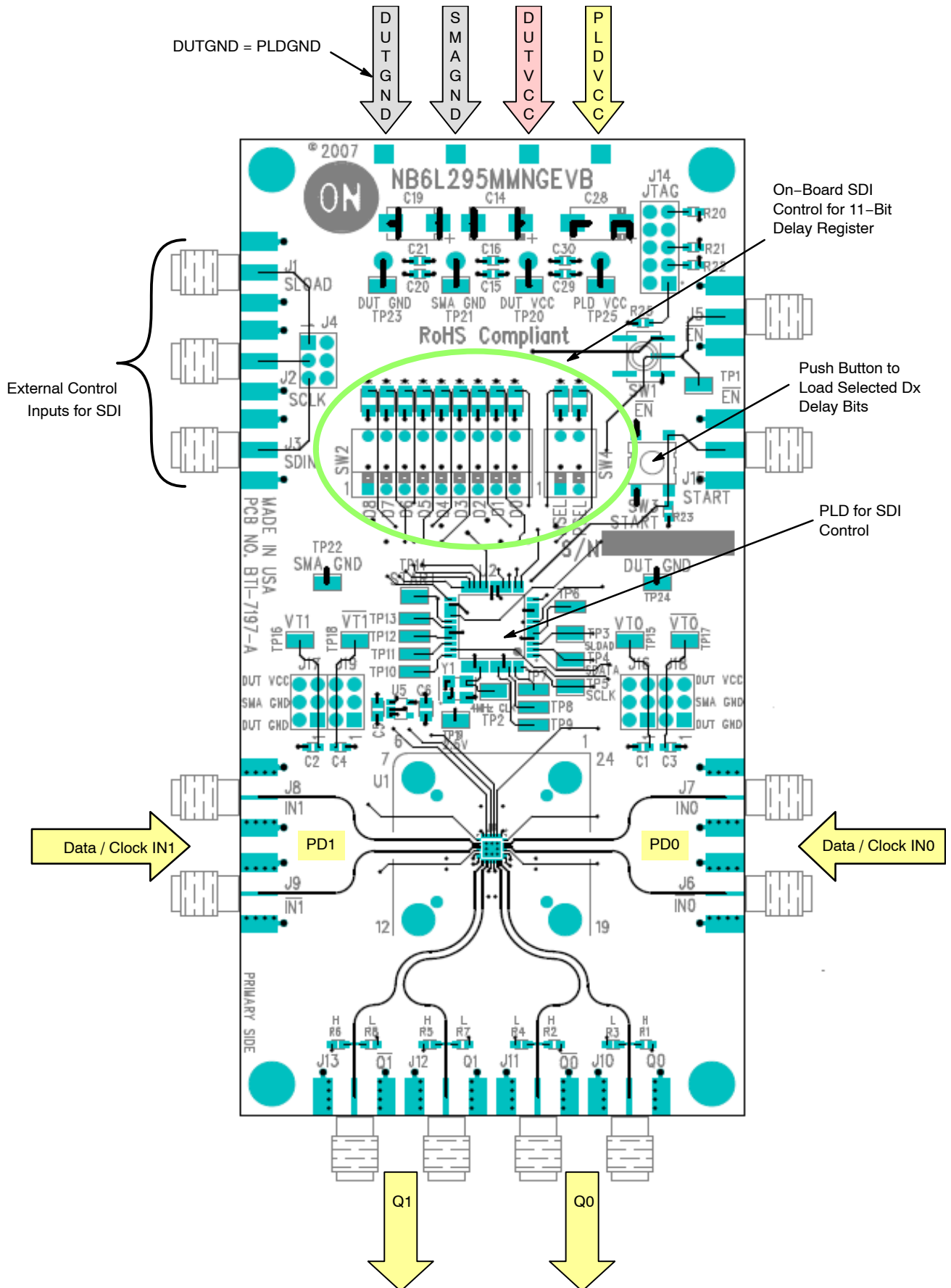


Figure 3. NB6L295M Evaluation Board Layout Overview

NB6L295MNGEVB, NB6L295MMNGEVB

TEST AND MEASUREMENT SETUP AND PROCEDURE

Basic Lab Equipment (or Equivalent)

- Agilent Signal Generator #8133A for IN_x / \overline{IN}_x , external Clock or Data source
- Tektronix TDS8000 Oscilloscope or Frequency Counter
- Agilent #6624A DC Power Supply
- Digital Voltmeter
- Matched high-speed cables with SMA connectors

Lab Setup

A typical lab setup for taking time domain measurements in differential mode operation is shown in Figures 6 and 7. The following steps should be followed for proper equipment setup:

Step 1: Connect Power Supply

The NB6L295M and NB6L295 have positive supply pins, VCC, VCC0 and VCC1, and negative supply pins, (DUT)GND. The SMAGND (V_{TT}) terminal is the isolated termination ground plane for the outputs, only, and is not to be confused with the device ground pin, (DUT)GND.

Three power levels must be provided to the board, VCC, DUTGND, and SMAGND. Connect a power supplies to banana jack connectors for VCC, PLDVCC, DUTGND and SMAGND, which are provided on the bottom of the board. By-pass capacitors have been installed from VCC to SMAGND and from DUTGND to SMAGND at the banana jacks.

DUTGND = PLDGND, therefore, when device power supply is 2.5 V or 3.3 V, PLDVCC = DUTVCC. The exposed pad on the PCB for the QFN-24 package is connected to DUTGND.

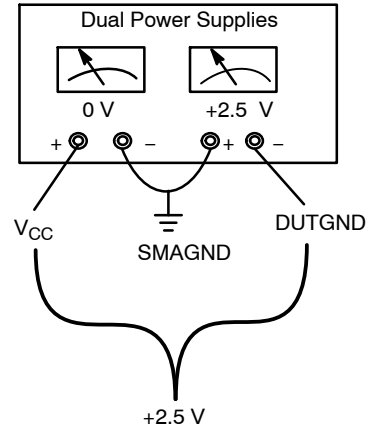


Figure 4. "Split" or Dual Power Supply Connections for NB6L295M, CML Outputs

Table 1. NB6L295M, CML OUTPUTS OFFSET POWER SUPPLY CONFIGURATIONS

| Device Pin | Power Supply Connector Color | "Spilt" Power Supply |
|------------|------------------------------|---------------------------|
| PLDVCC | Yellow | PLDVCC = 0 V |
| VCC | Red | $V_{CC} = 0 V$ |
| SMAGND | Black | $V_{TT} = 0 V$ |
| DUTGND | Black | DUTGND = -2.5 V or -3.3 V |

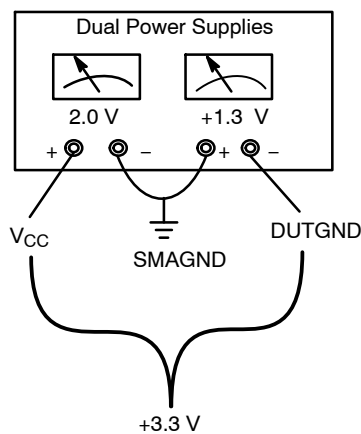


Figure 5. "Split" or Dual Power Supply Connections for NB6L295, LVPECL Outputs

Table 2. NB6L295, LVPECL OUTPUTS "SPLIT" POWER SUPPLY CONFIGURATIONS

| Device Pin | Power Supply Connector Color | "Spilt" Power Supply |
|------------|------------------------------|---------------------------|
| PLDVCC | Yellow | PLDVCC = +2.0 V |
| VCC | Red | $V_{CC} = +2.0 V$ |
| SMAGND | Black | $V_{TT} = 0 V$ |
| DUTGND | Black | DUTGND = -0.5 V or -1.3 V |

Step 2: CML & LVPECL Output Load Termination

NB6L295M – CML Outputs (see Figures 4 and 7)

The CML Qx and \overline{Qx} outputs must be externally DC loaded and AC terminated. A “split” or dual power supply technique can be used to take advantage of terminating the CML outputs into 50 Ω to Ground of an oscilloscope or a frequency counter. Since $V_{TT} = V_{CC}$, offsetting V_{CC} to 0 V yields $V_{TT} = 0$ V or Ground (SMAGND).

NB6L295 – LVPECL Outputs (see Figures 5 and 6)

The LVPECL Qx and \overline{Qx} outputs have standard, open emitter outputs and must be externally DC loaded and AC terminated.

Taking advantage of the internal 50 Ω to ground of the test equipment, a split power supply technique will assure the equal output loading and termination of both outputs. Connect the Qx and \overline{Qx} outputs of the device to the oscilloscope with equally matched cables. Both outputs must be equally loaded and terminated. The outputs are now DC loaded and AC terminated with 50 Ω to V_{TT} , which is the Ground internal to the oscilloscope. Since $V_{TT} = V_{CC} - 2$ V, offsetting V_{CC} to +2.0 V yields $V_{TT} = 0$ V or Ground (SMAGND).

The V_{TT} terminal connects to the isolated SMAGND connector ground plane, and is not to be confused with the device ground pin, DUTGND.

NOTE: When a single-ended output is being used, the unconnected output for the pair **must be** terminated to V_{TT} through a 50 Ω resistor for best operation. Unused output pairs may be left unconnected. Since $V_{TT} = 0$ V, a standard 50 Ω SMA termination plug can be used.

Step 3: Connect and Setup Inputs

Set the signal generator amplitude to appropriate logic levels. For Clock, set the generator output for a square wave clock signal with a 50% duty cycle.

For Differential Mode

Connect the differential outputs of the generator with equally matched cables to the differential inputs of the device (INx and \overline{INx}). The differential inputs of the NB6L295 incorporate internal 50 Ω termination resistors.

For Single-Ended Mode

Connect the single-ended output of the generator to the INx input of the device. V_{th} must be applied to the complementary input (\overline{INx}) when operating in single-ended mode. Refer to the device datasheet for details on single-ended operation.

The V_{Tx} and $\overline{V_{Tx}}$ termination pins each have a trace from package pin to a node where it can be connected to either VCC, DUTGND or SMAGND, depending on the user’s need.

Step 4: Program the SDI

The internal delay registers of the NB6L295/NB6L295M may be programmed by a) the onboard PLD or b) by using the three-lines for an external Serial Data Interface (SDI) consisting of a SERIAL DATA (SDATA) input, a SERIAL CLOCK (SCLK) input, and a SERIAL LOAD (SLOAD) as follows:

a) Onboard PLD

When using the onboard PLD for the SDI source,

1. Install the three jumpers located at J4
2. Insure PLDVCC power is applied
3. The 11-bit switches will program the NB6L295’s 11-bit shift register. Set SW2 and SW4 switches to the desired values for the 11-bit word
4. Load the program values by depressing momentary switch SW3, or send a pulse signal (125 ns min) through J1.

Refer to the NB6L295 datasheet for details on the proper settings for these switches.

b. External SDI

An external SDI source can also program the NB6L295/NB6L295M. See datasheet DC Table, AC Table, as well as Figures 7 and 8. When using an external SDI source, remove the three jumpers at J4.

To use the SDI ports, generate input SCLK, SDATA, and SLOAD signals via the appropriate SMA connectors with OFFSET LVCMOS/LVTTL LEVELS, i.e. +2.0 V HIGH and -1.3 V LOW for a 3.3 V LVPECL power supply. The SCLK signal will sample the information presented on SDATA line. Values are loaded and indexed into a 11-bit shift register. The register shifts once per rising edge of the SCLK input. The serial input SDATA bits must each meet setup and hold timing to the respective SCLK rising edge as specified in the AC Characteristics section of the datasheet document. The LEAST Significant Bit (LSB), PSEL, is indexed in first followed by MSEL and D0, D1, D2, D3, D4, D5, D6, and D7, through MOST Significant Bit (MSB), D8, indexed in last. A Pulse on the SLOAD pin after the SHIFT register is fully indexed (11 clocks) will load and latch the data values for the internal registers.

The SLOAD pulse Low to HIGH rising edge transition transfers the data from the SHIFT register to the LATCH register. The SLOAD Pulse HIGH to LOW transition will lock the new data values into the LATCH register.

After the PLD programs the NB6L295/NB6L295M, PLDVCC can be disconnected.

Input/Output Enable \overline{EN} : When switch SW1 is in the UP position or is externally connected to a LOW through J15 SMA connector, the outputs are ENABLED.

To monitor the Qx and \overline{Qx} outputs on an oscilloscope or frequency counter:

- The power supply needs to be DC offset
- Assure that the instrument has internal 50 Ω termination impedance to ground
- Ensure the oscilloscope is triggered properly

NB6L295MNGEVB, NB6L295MMNGEVB

DUTGND = -0.5 V / -1.3 V SMAGND = 0 V VCC = +2.0 V PLDVCC = +2.0 V

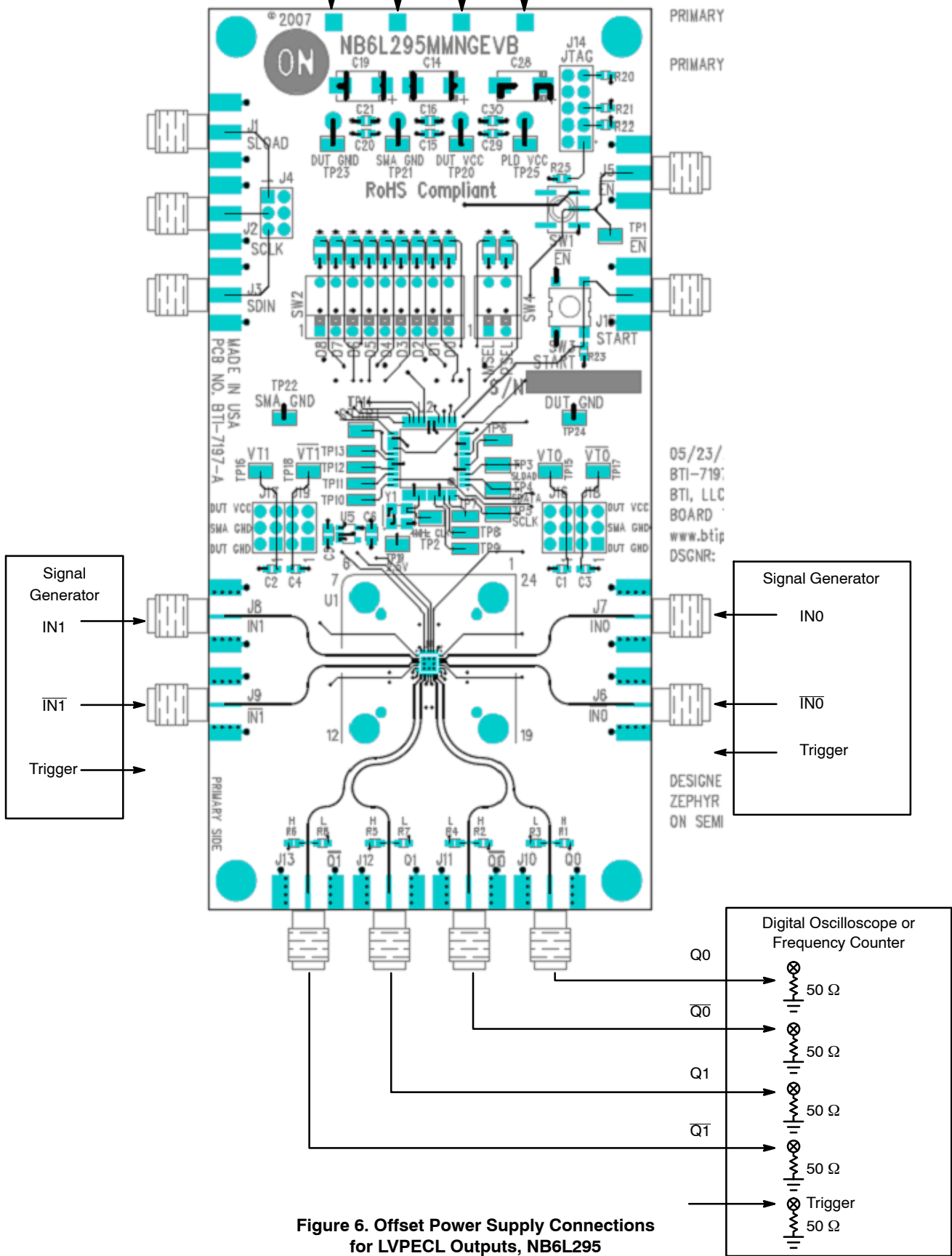


Figure 6. Offset Power Supply Connections for LVPECL Outputs, NB6L295

NB6L295MNGEVB, NB6L295MMNGEVB

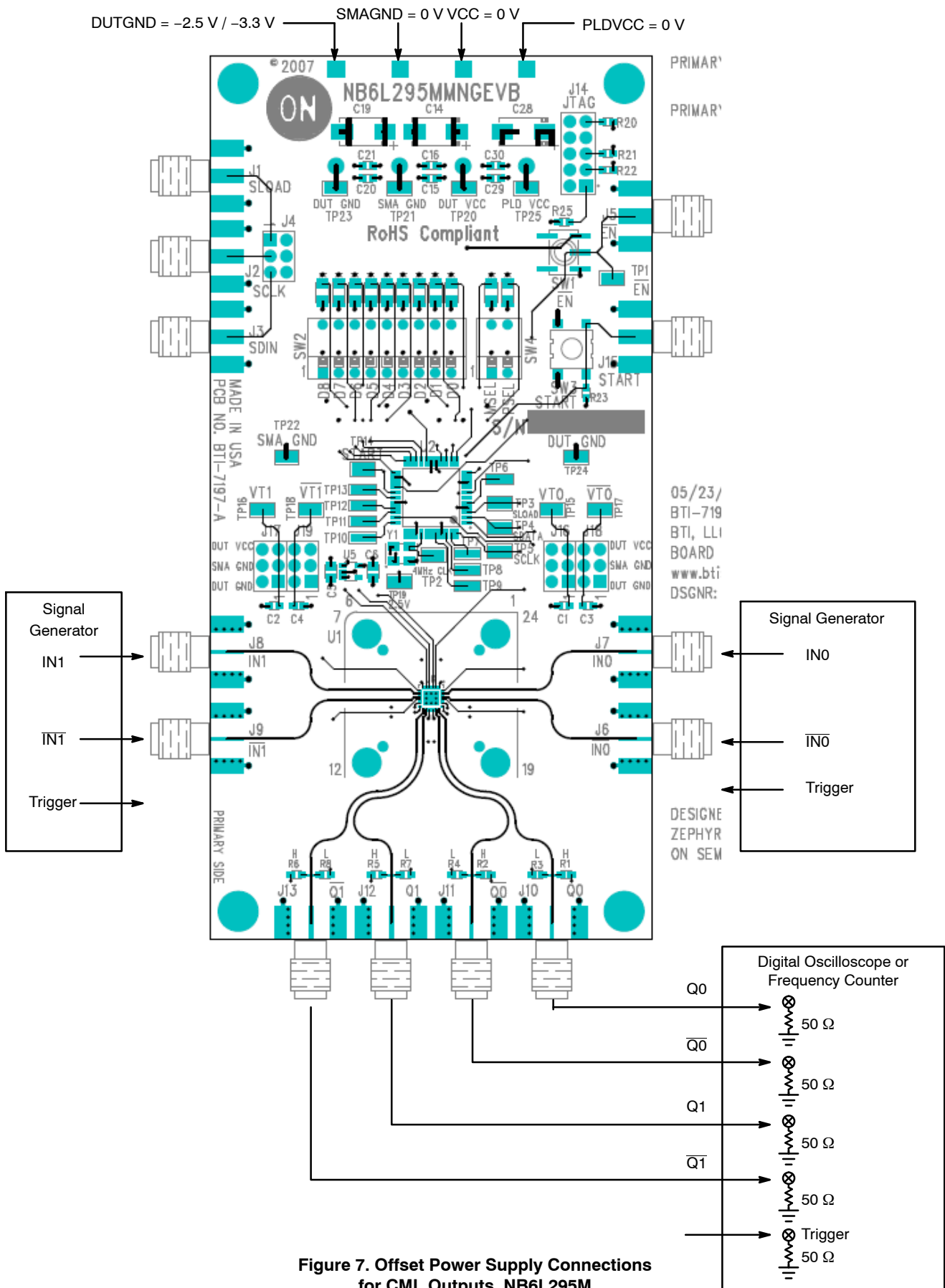
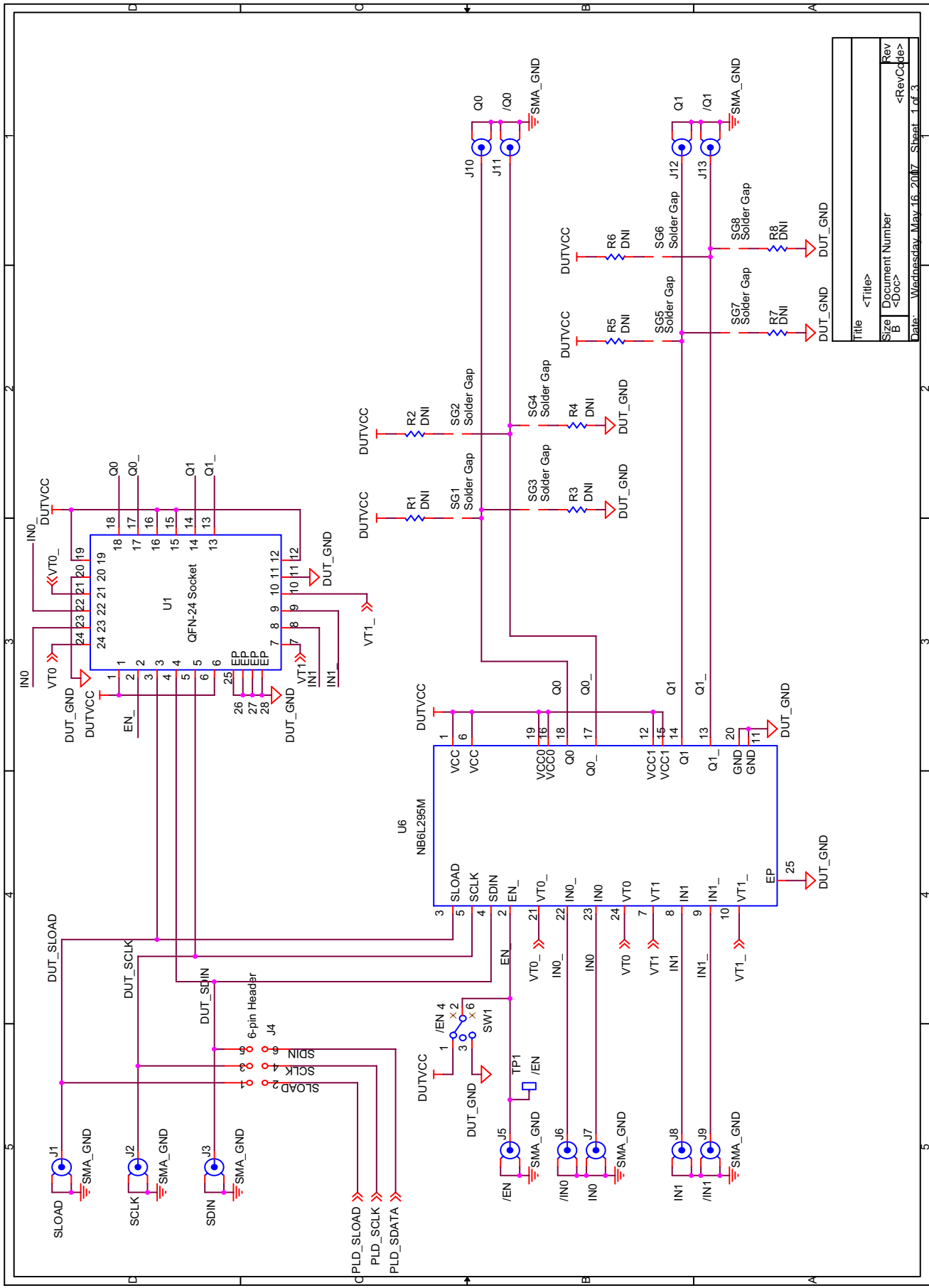


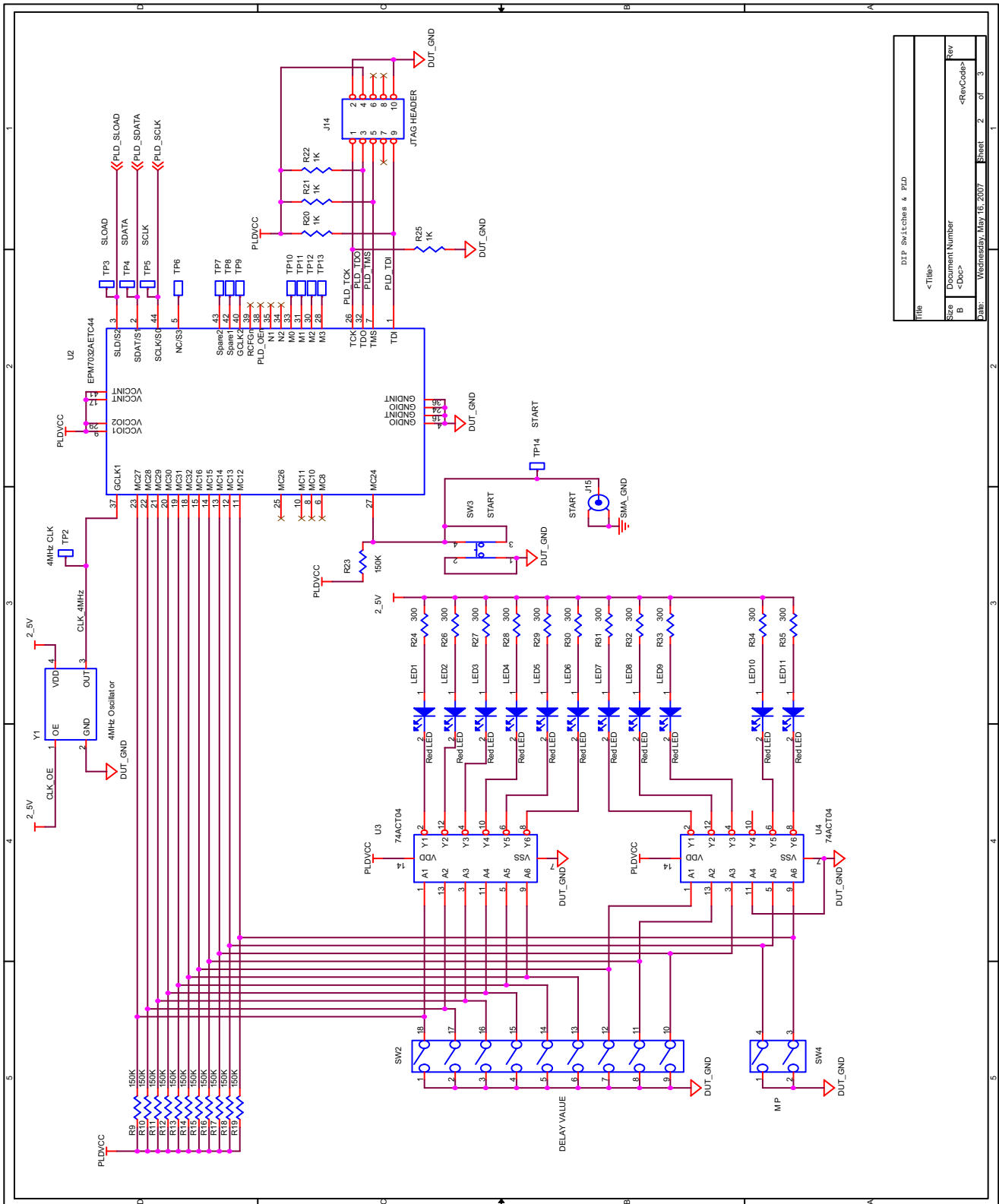
Figure 7. Offset Power Supply Connections for CML Outputs, NB6L295M

NB6L295MNGEVB, NB6L295MMNGEVB



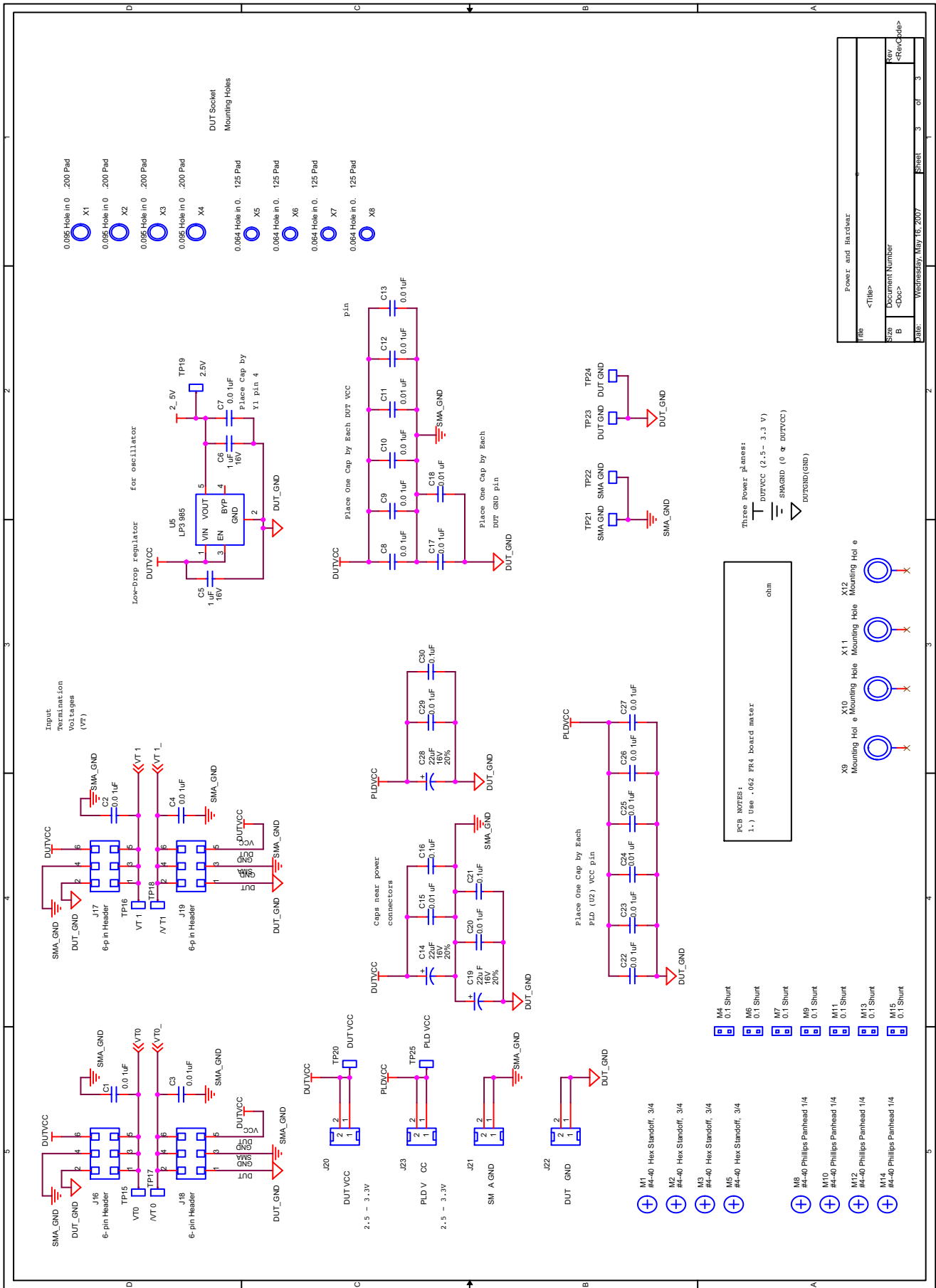
| | |
|-------|---------------------------------------|
| Title | <Title> |
| Size | Document Number |
| Rev | <RevCode> |
| Date | Wednesday, May 16, 2007, Sheet 1 of 3 |

NB6L295MNGEVB, NB6L295MMNGEVB



| | | | |
|-------|--|-------------------------|--|
| Title | | DIP switches & PLD | |
| Size | | <Title> | |
| B | | Document Number | |
| Date: | | <Doc> | |
| | | Wednesday, May 16, 2007 | |
| | | Sheet 2 of 3 | |

NB6L295MNGEVB, NB6L295MMNGEVB



| | |
|--------------------|-------------------------|
| Power and Hardware | |
| Title | <Title> |
| Size | Document Number |
| Rev | <Rev> |
| Date | Wednesday, May 16, 2007 |
| Sheet | 3 of 3 |

NB6L295MNGEV, NB6L295MMNGEV

Table 3. NB6L295MMNGEV BILL OF MATERIALS

| Item | Qty | Part Number | Value | Ref. Des. | PCB Footprint | Vendor | Vendor PN | Manufacturer |
|------|-----|------------------------|-------------------------------|------------------------------|---------------------------------|----------|--------------------|--------------------|
| 1 | 22 | C0603C103K5RACTU | 0.01 μ F | C1,C2,C3,C4,C7,C8,C9,C10,C11 | 603 | Digikey | 399-1091-1-ND | Kemet |
| | | | | C12,C13,C15,C17,C18,C20,C22 | | | | |
| | | | | C23,C24,C25,C26,C27,C29 | | | | |
| 2 | 2 | C0805C105K4RACTU | 1 μ F | C6,C5 | 805 | Digikey | 399-1284-1-ND | Kemet |
| 3 | 3 | T494D226K016AS | 22 μ F | C14,C19,C28 | EIA-7343-31 | Digikey | 399-1782-1-ND | Kemet |
| 4 | 3 | ECJ-1VB1C104K | 0.1 μ F | C16,C21,C30 | 603 | Digikey | PCC1762CT-ND | Panasonic |
| 5 | 13 | 142-0701-801 | SMA | J1,J2,J3,J5,J6,J7,J8,J9, | CON_SMA_142-0701-80x JOHNSON | Digi-Key | J502-ND | Johnson Components |
| | | | | J10,J11,J12,J13,J15 | | | | |
| 6 | 5 | 10-89-1061 | 6-pin Header | J4,J16,J17,J18,J19 | | Digikey | WM6806-ND | Molex |
| 7 | 1 | 10-89-1101 | JTAG HEADER | J14 | | Digikey | WM6810-ND | Molex |
| 8 | 1 | 571-0500 | Red BANANA JACK | J20 | CON2_571-0500 DELTRON | Mouser | 164-6219 | Deltron |
| 9 | 2 | 571-0100 | BLK BANANA JACK | J22,J21 | CON2_571-0500 DELTRON | Mouser | 164-6218 | Deltron |
| 10 | 1 | 571-0700 | Yellow BANANA JACK | J23 | CON2_571-0500 DELTRON | Mouser | 164-7170 | Deltron |
| 11 | 11 | 597-3111-407F | Red LED | LED1,LED2,LED3,LED4,LED5, | LED_1206_AK | Digikey | 350-1565-1-ND | Dialight |
| | | | | LED6,LED7,LED8,LED9, | | | | |
| | | | | LED10,LED11 | | | | |
| 12 | 4 | 1895 | #4-40 Hex Standoff, 3/4 | M1,M2,M3,M5 | | Digikey | 1895K-ND | Keystone |
| 13 | 7 | 382811-5 | 0.1 Shunt | M4,M6,M7,M9,M11,M13,M15 | | Digikey | A26229-ND | AMP/Tyco |
| 14 | 4 | PMS 440 0025 PH | #4-40 Phillips Panhead 1/4 | M8,M10,M12,M14 | | Digikey | H342-ND | Building Fasteners |
| 15 | 8 | | DNI | R1,R2,R3,R4,R5,R6,R7,R8 | 603 | | | |
| 16 | 12 | ERJ-3GEYJ154V | 150k | R9,R10,R11,R12,R13,R14, | 603 | Digikey | P150KGCT-ND | Panasonic |
| | | | | R15,R16,R17,R18,R19,R23 | | | | |
| 17 | 4 | ERJ-3GEYJ102V | 1k | R20,R21,R22,R25 | 603 | Digikey | P1.0KGCT-ND | Panasonic |
| 18 | 11 | ERJ-3GEYJ301V | 300 | R24,R26,R27,R28,R29,R30, | 603 | Digikey | P300GCT-ND | Panasonic |
| | | | | R31,R32,R33,R34,R35 | | | | |
| 20 | 1 | GT13MSCBE | SW SPDT | SW1 | SWS_GT13MSCBE_ITT | Digikey | CKN2092CT-ND | C&K |
| 21 | 1 | 76PSB09ST | SW PianoDIP-9 | SW2 | SW_DIP_76PSB09 GRAYHILL | Digikey | GH7145-ND | Grayhill |
| 22 | 1 | B3S-1002 | Push Button Switch | SW3 | SW_EVQPLD_PAN | Digi-Key | SW416-ND | Omron |
| 23 | 1 | 76PSB02ST | SW PianoDIP-2 | SW4 | SW_DIP_76PSB02 GRAYHILL | Digikey | GH7131-ND | Grayhill |
| 24 | 17 | 5015 | TP_5015_KEYSTONE | TP1,TP2,TP3,TP4,TP5,TP14, | TP_5015_KEYSTONE | Digikey | 5015KCT-ND | Keystone |
| | | | | TP15,TP16,TP17,TP18,TP19, | | | | |
| | | | | TP20,TP21,TP22,TP23,TP24, | | | | |
| | | | | TP25 | | | | |
| 26 | 1 | NB6L295 or NB6L295M | DUT | U1 | QFN-24 | | | ON Semiconductor |
| 27 | 1 | EPM7032AETC44-10 | EPM7032AETC44 | U2 | TQFP80P1200X1200X120- 44N | Arrow | EPM7032AETC44-10 | Altera |
| 28 | 2 | 74ACT04SC | 74ACT04 | U3,U4 | SO14 | Digi-Key | 74ACT04SC-ND | Fairchild |
| 29 | 1 | LP3985IM5-2.5/NOPB | LP3985 | U5 | SOT23-5 | Digi-Key | LP3985IM5-2.5CT-ND | National Semi |
| 33 | 1 | ECS-3525-040-B-TR | 4MHz Oscillator | Y1 | OSCS_3525_ECS | Digikey | XC1047CT-ND | ECS |

ON Semiconductor and the ON Semiconductor logo are trademarks of Semiconductor Components Industries, LLC dba ON Semiconductor or its subsidiaries in the United States and/or other countries. ON Semiconductor owns the rights to a number of patents, trademarks, copyrights, trade secrets, and other intellectual property. A listing of ON Semiconductor's product/patent coverage may be accessed at www.onsemi.com/site/pdf/Patent-Marking.pdf. ON Semiconductor is an Equal Opportunity/Affirmative Action Employer. This literature is subject to all applicable copyright laws and is not for resale in any manner.

The evaluation board/kit (research and development board/kit) (hereinafter the "board") is not a finished product and is as such not available for sale to consumers. The board is only intended for research, development, demonstration and evaluation purposes and should as such only be used in laboratory/development areas by persons with an engineering/technical training and familiar with the risks associated with handling electrical/mechanical components, systems and subsystems. This person assumes full responsibility/liability for proper and safe handling. Any other use, resale or redistribution for any other purpose is strictly prohibited.

The board is delivered "AS IS" and without warranty of any kind including, but not limited to, that the board is production-worthy, that the functions contained in the board will meet your requirements, or that the operation of the board will be uninterrupted or error free. ON Semiconductor expressly disclaims all warranties, express, implied or otherwise, including without limitation, warranties of fitness for a particular purpose and non-infringement of intellectual property rights.

ON Semiconductor reserves the right to make changes without further notice to any board.

You are responsible for determining whether the board will be suitable for your intended use or application or will achieve your intended results. Prior to using or distributing any systems that have been evaluated, designed or tested using the board, you agree to test and validate your design to confirm the functionality for your application. Any technical, applications or design information or advice, quality characterization, reliability data or other services provided by ON Semiconductor shall not constitute any representation or warranty by ON Semiconductor, and no additional obligations or liabilities shall arise from ON Semiconductor having provided such information or services.

The boards are not designed, intended, or authorized for use in life support systems, or any FDA Class 3 medical devices or medical devices with a similar or equivalent classification in a foreign jurisdiction, or any devices intended for implantation in the human body. Should you purchase or use the board for any such unintended or unauthorized application, you shall indemnify and hold ON Semiconductor and its officers, employees, subsidiaries, affiliates, and distributors harmless against all claims, costs, damages, and expenses, and reasonable attorney fees arising out of, directly or indirectly, any claim of personal injury or death associated with such unintended or unauthorized use, even if such claim alleges that ON Semiconductor was negligent regarding the design or manufacture of the board.

This evaluation board/kit does not fall within the scope of the European Union directives regarding electromagnetic compatibility, restricted substances (RoHS), recycling (WEEE), FCC, CE or UL, and may not meet the technical requirements of these or other related directives.

FCC WARNING – This evaluation board/kit is intended for use for engineering development, demonstration, or evaluation purposes only and is not considered by ON Semiconductor to be a finished end product fit for general consumer use. It may generate, use, or radiate radio frequency energy and has not been tested for compliance with the limits of computing devices pursuant to part 15 of FCC rules, which are designed to provide reasonable protection against radio frequency interference. Operation of this equipment may cause interference with radio communications, in which case the user shall be responsible, at its expense, to take whatever measures may be required to correct this interference.

ON Semiconductor does not convey any license under its patent rights nor the rights of others.

LIMITATIONS OF LIABILITY: ON Semiconductor shall not be liable for any special, consequential, incidental, indirect or punitive damages, including, but not limited to the costs of requalification, delay, loss of profits or goodwill, arising out of or in connection with the board, even if ON Semiconductor is advised of the possibility of such damages. In no event shall ON Semiconductor's aggregate liability from any obligation arising out of or in connection with the board, under any theory of liability, exceed the purchase price paid for the board, if any.

For more information and documentation, please visit www.onsemi.com.

PUBLICATION ORDERING INFORMATION

LITERATURE FULFILLMENT:

Email Requests to: orderlit@onsemi.com

ON Semiconductor Website: www.onsemi.com

TECHNICAL SUPPORT

North American Technical Support:

Voice Mail: 1 800-282-9855 Toll Free USA/Canada

Phone: 011 421 33 790 2910

Europe, Middle East and Africa Technical Support:

Phone: 00421 33 790 2910

For additional information, please contact your local Sales Representative