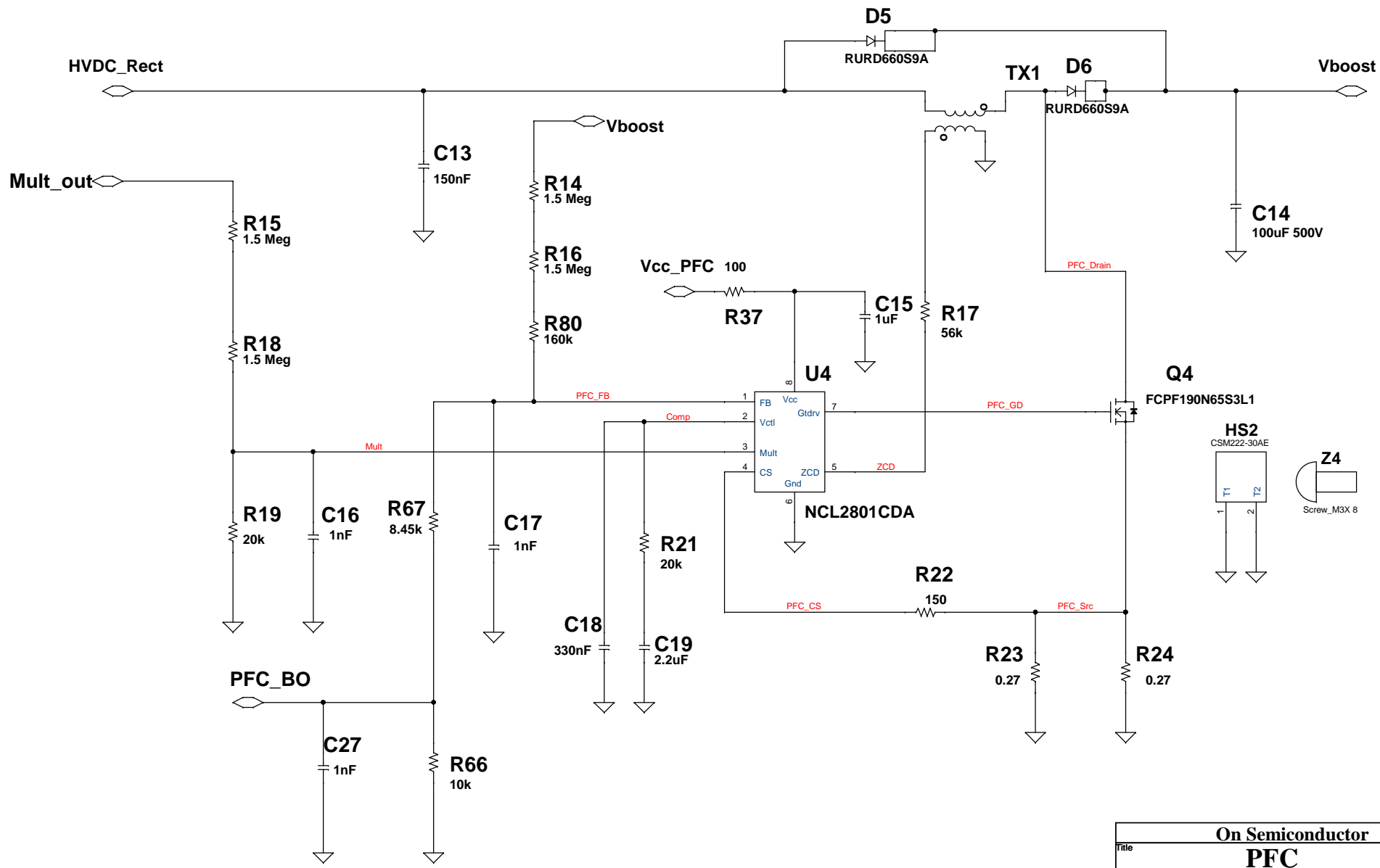
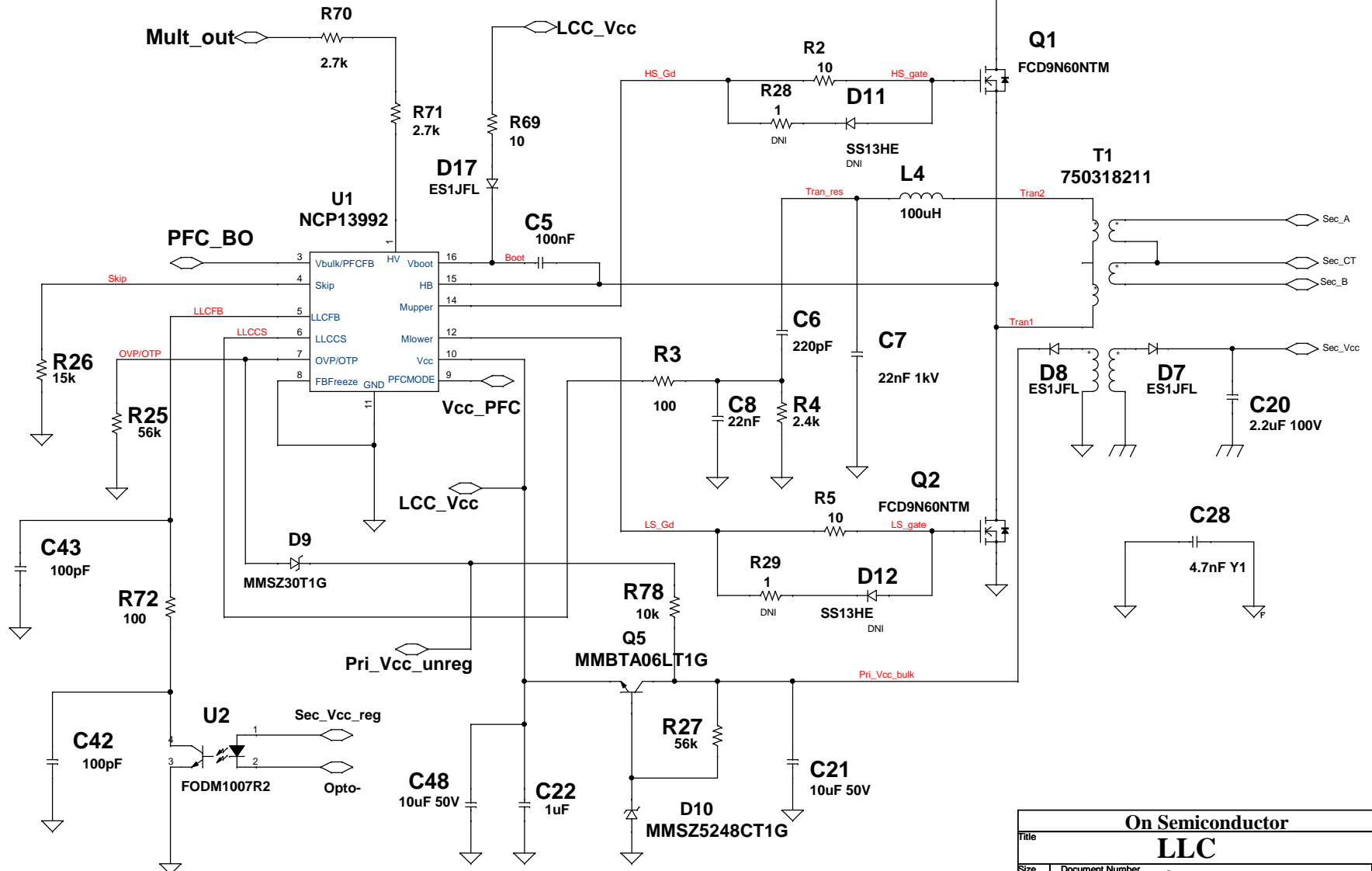


On Semiconductor		
Input		
Title	Document Number NCL2801LED2GEVB	
Size B	Rev 04	
Date: Thursday, April 11, 2019	Sheet	1 of 6

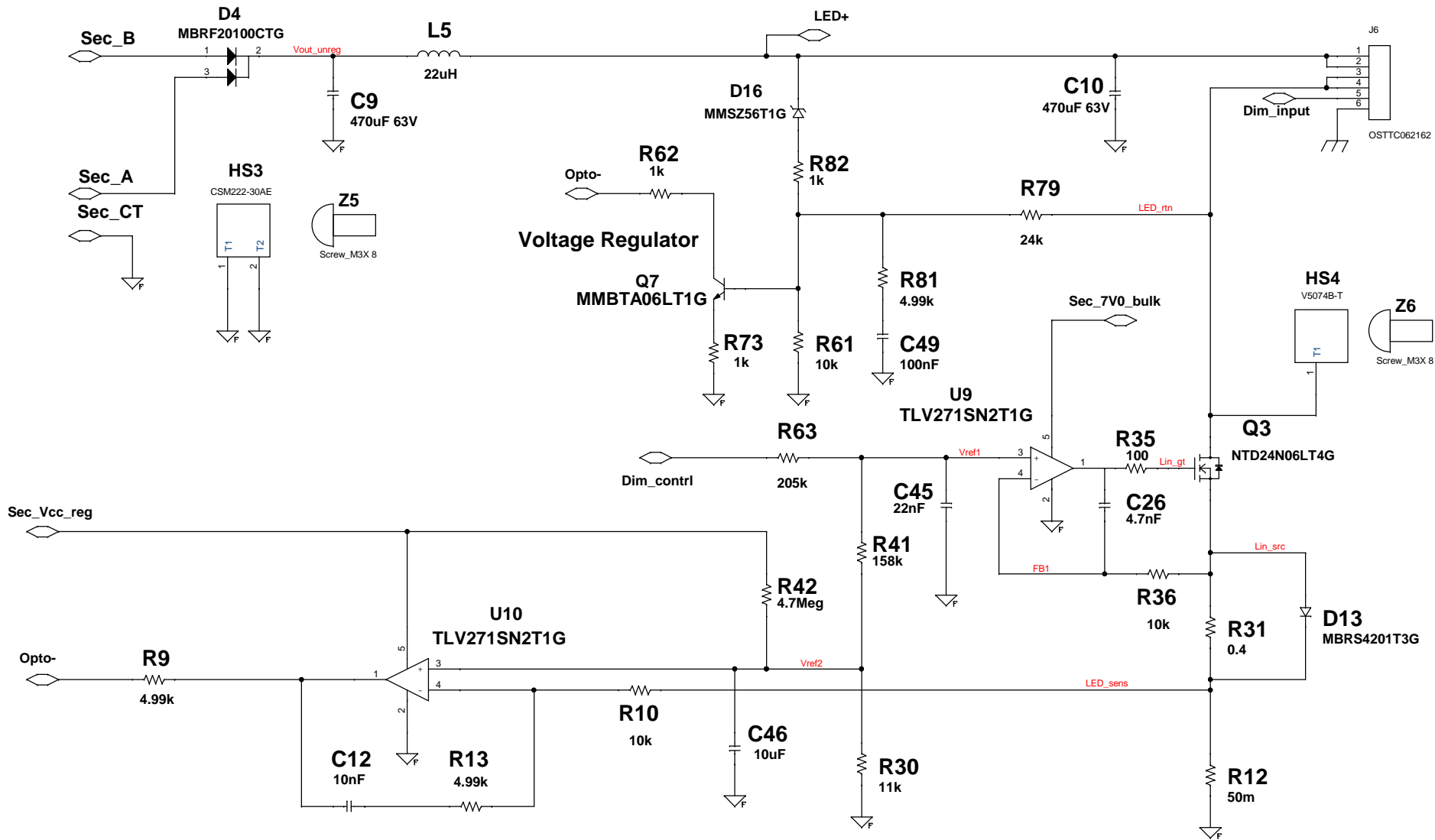


On Semiconductor		
PFC		
Title	NCL2801LED2GEVB	
Size	Document Number	Rev
B		04
Date:	Thursday, April 11, 2019	Sheet 2 of 6

Vboost

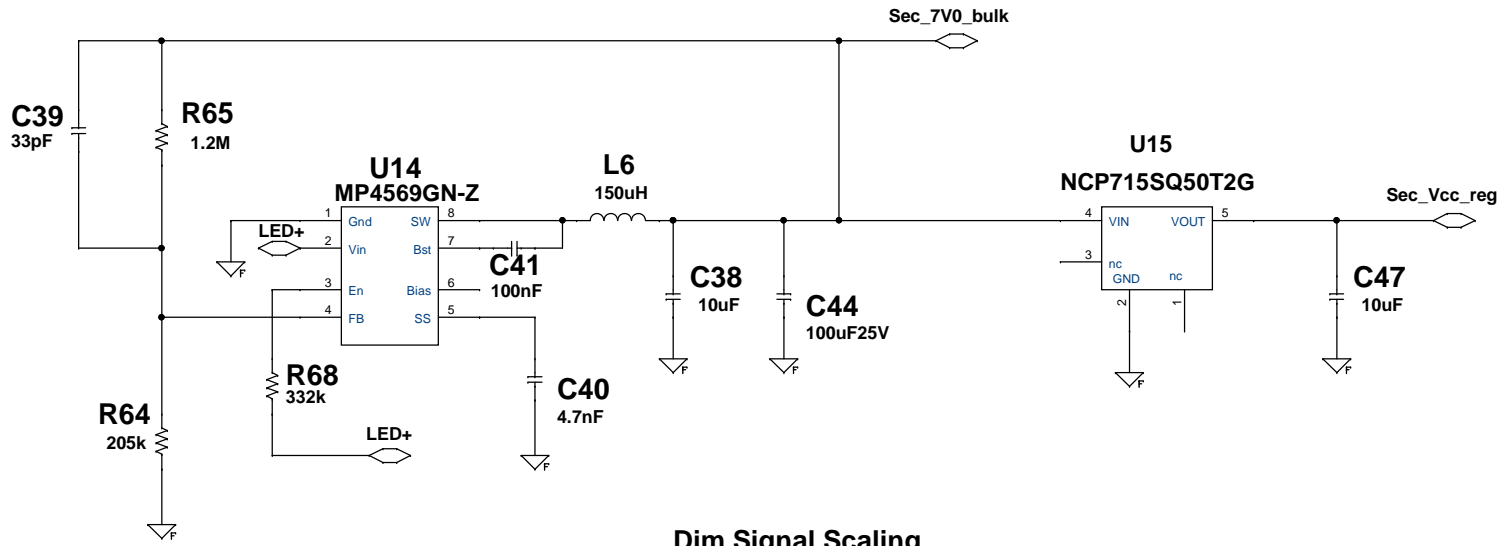


On Semiconductor		
LLC		
Size B	Document Number NCL2801LED2GEVB	Rev 04
Date: Thursday, April 11, 2019	Sheet 3	of 6

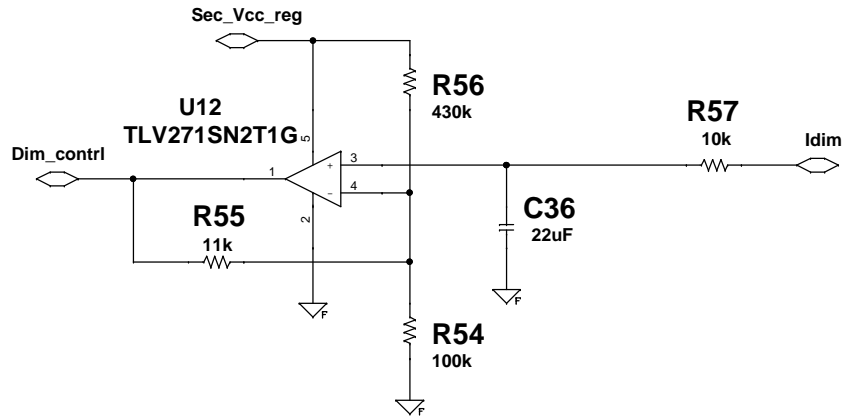


On Semiconductor			
Output & Control			
Title	Document Number		
Size	NCL2801LED2GEVB		Rev 04
Date:	Thursday, April 11, 2019	Sheet	4 of 6

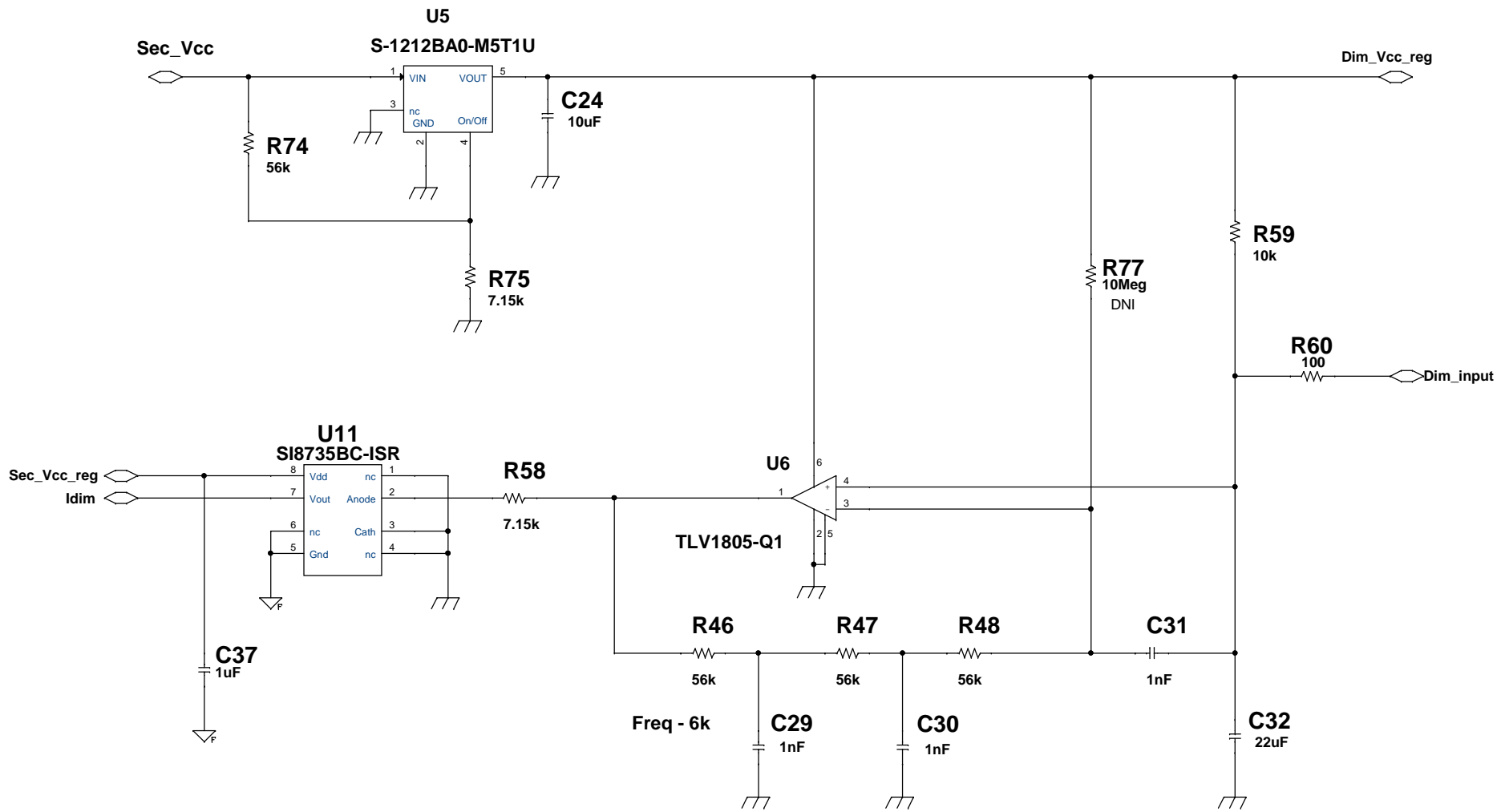
Secondary Vcc



Dim Signal Scaling



On Semiconductor			
Secondary Control			
Title	Document Number		
Size	B		Rev 04
Date:	Thursday, April 11, 2019	Sheet	5 of 6



On Semiconductor		
Dim Interface		
Title		
Size	Document Number	Rev
B	NCL2801LED2GEVB	04
Date:	Thursday, April 11, 2019	Sheet 6 of 6