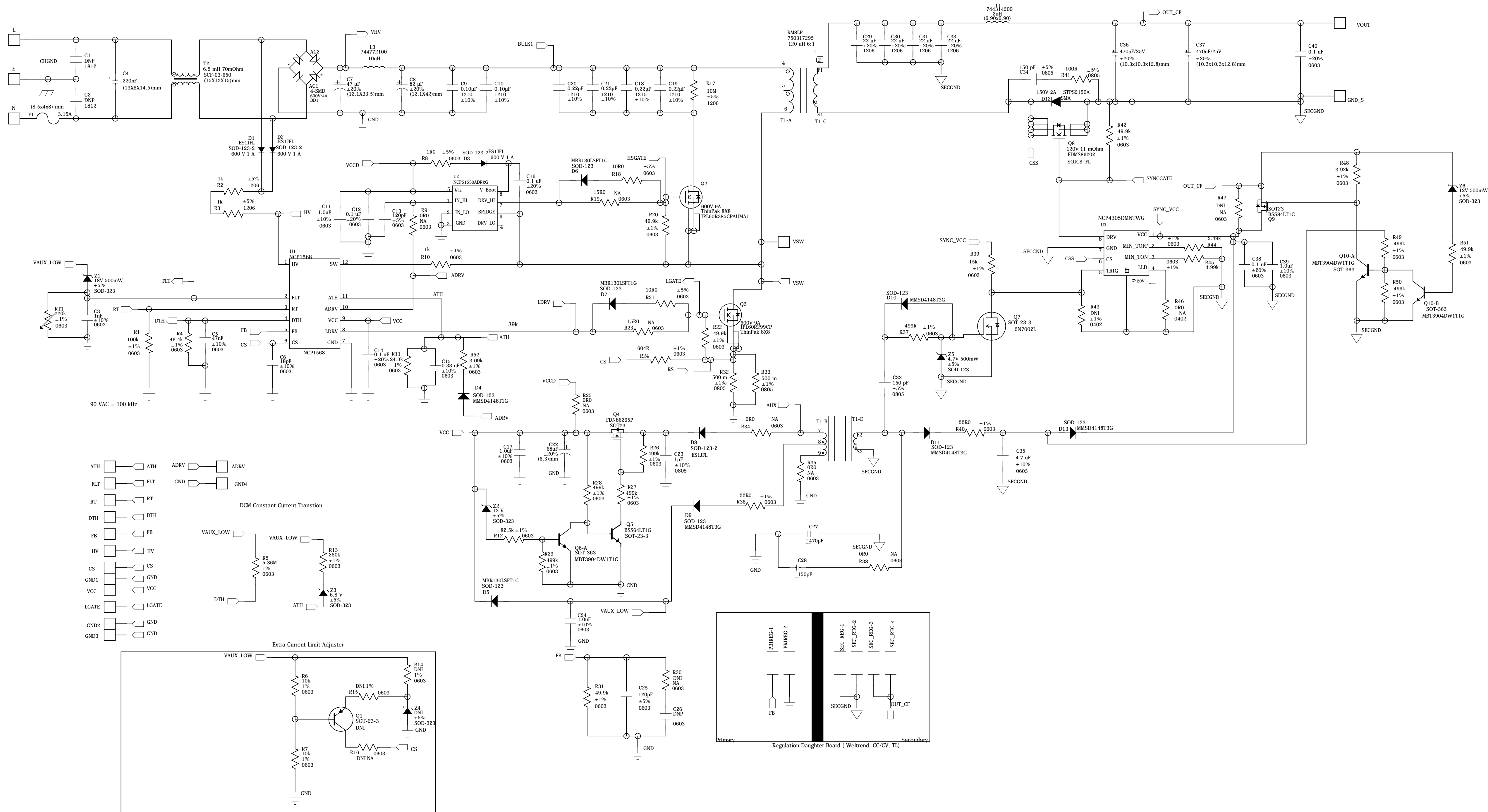


# Schematic for the NCP1568PD60WGEVB Evaluation Board





# Schematic for the daughter board NCP1568CCCV

