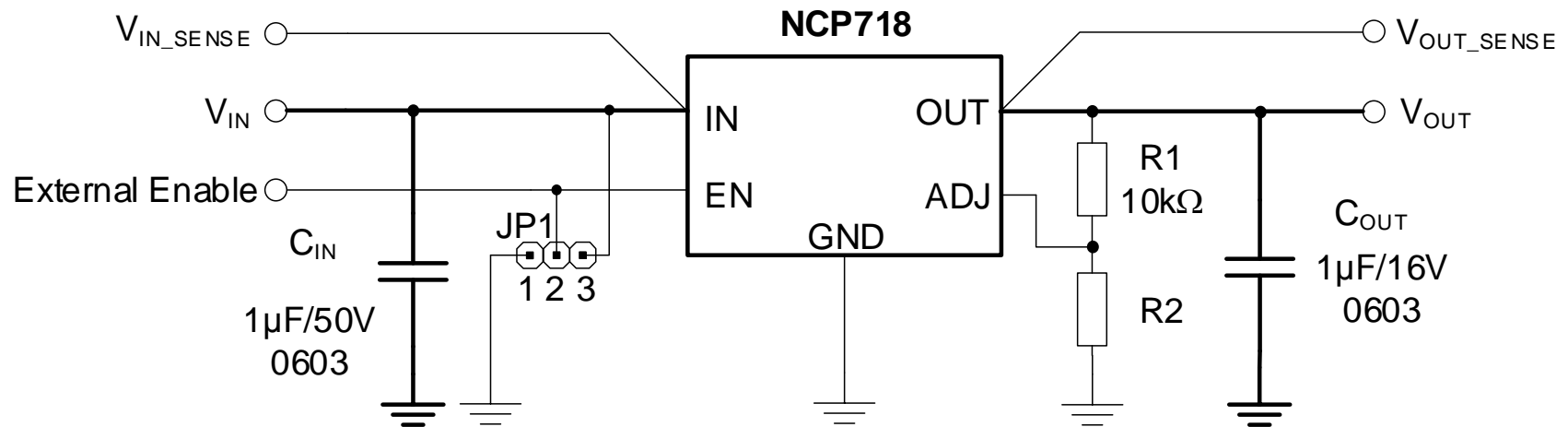




Schematic for the NCP718SNT1GEVB Evaluation Board



The NCP718 is 300mA wide input voltage (24V) LDO with ultra-low quiescent current (4µA typ.) and high PSRR. The NCP718 also offers good load/line transients, low noise and safe operation area protection.

JP1 positions:

- 2 – Enable signal from external source connected to **EXTERNAL ENABLE** pin
- 2 – 1 – LDO is **DISABLED**
- 2 – 3 – LDO is **ENABLED**

Note: Do not connect external signal to **EXTERNAL ENABLE** pin if jumper is fitted