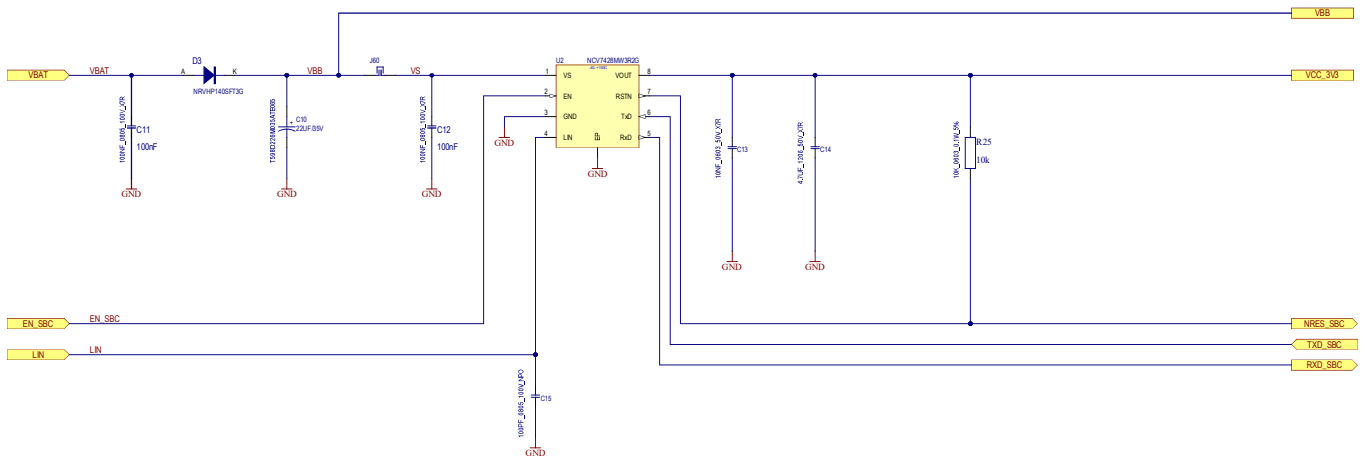


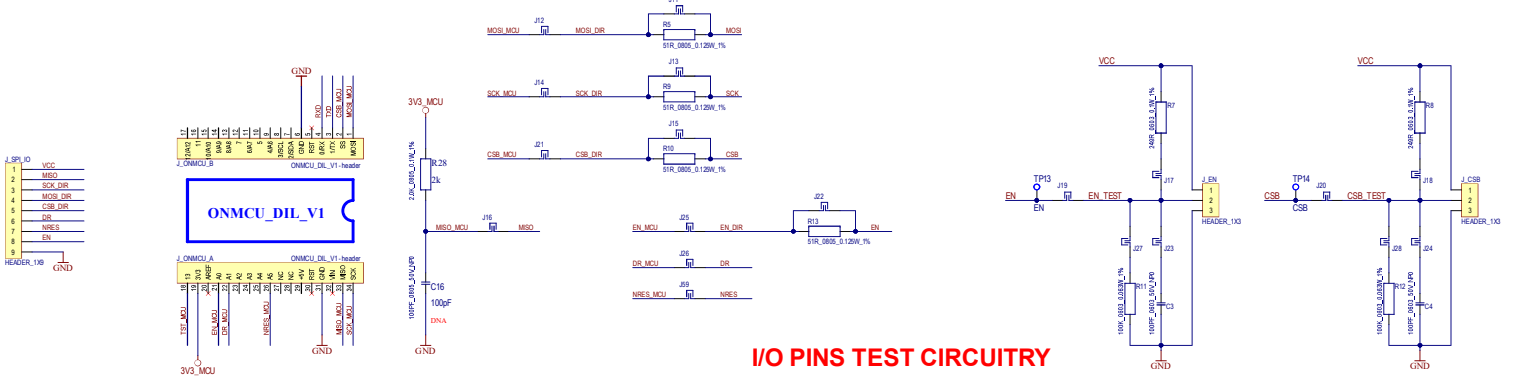


# SYSTEM BASIS CHIP WITH LIN AND 3V3 LDO

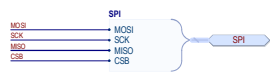
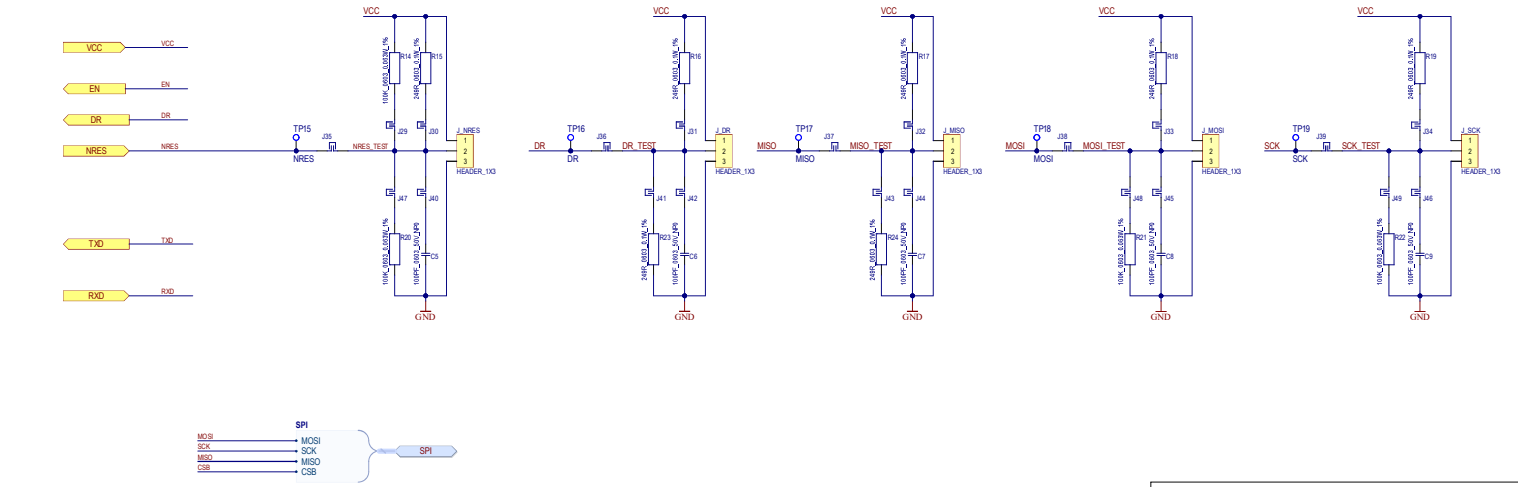


PROJECT					
SCHEMATIC R124_Eval_V1.1_SBC.SchDoc					
CUSTOMER			AUTHOR		
Size	REV.	SHEET No.	TOTAL SHEETS	TIMESTAMP	
A3	A	2	4	15/03/2022 15:38:32	
7			8		

# ONMCU CONTROL BOARD COMMUNICATION

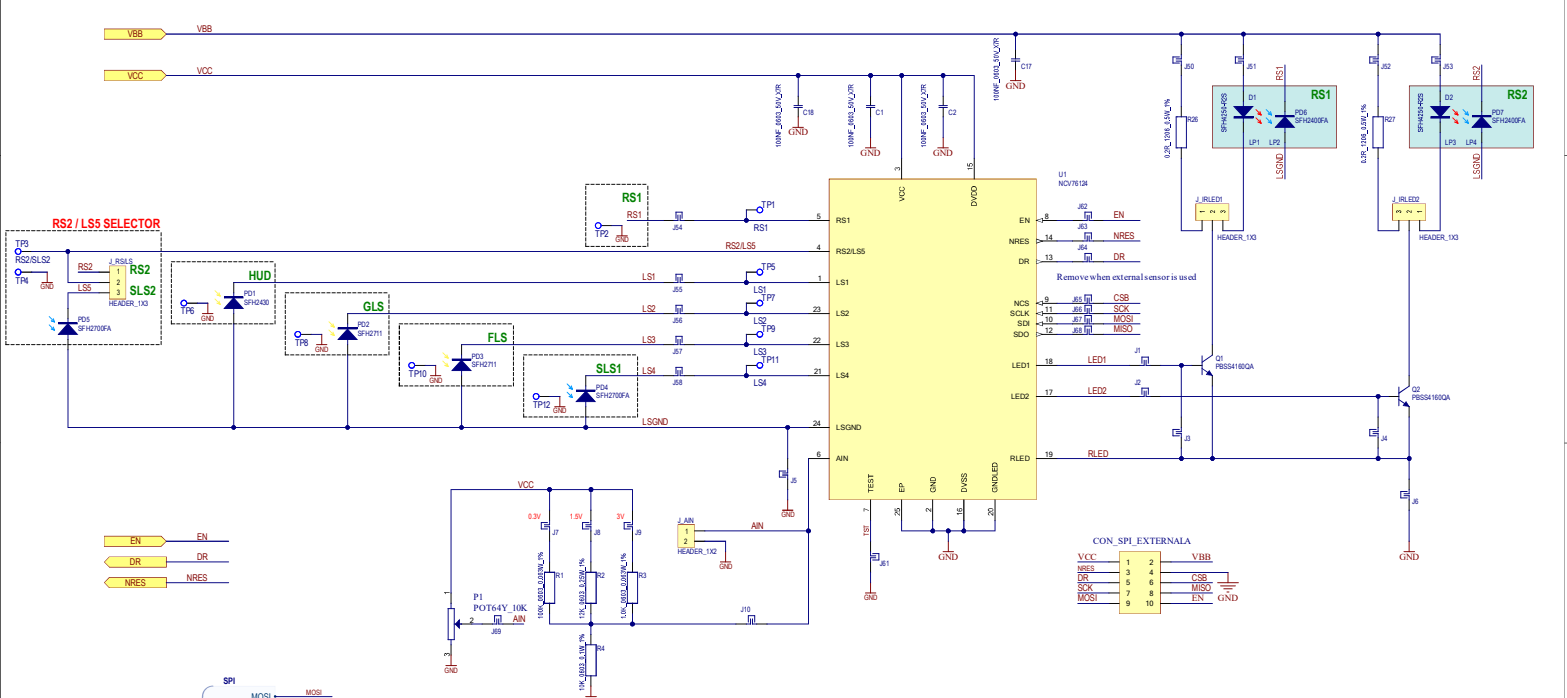


## I/O PINS TEST CIRCUITRY



PROJECT				
R124_Eval_V1.1_MCU.SchDoc				
SCHEMATIC				
CUSTOMER				
AUTHOR				
Size	REV.	SHEET No.	TOTAL SHEETS	TIMESTAMP
A3	A	3	4	15/03/2022 15:38:32

# NCV76124 RAIN AND LIGHT SENSOR



## JUMPERS FOR SHORT TO VCC AND GND



PROJECT	
SCHEMATIC	R124_Eval_V1.1_Device.SchDoc
CUSTOMER	AUTHOR
Size	REV
A3	A
SHEET No	TOTAL SHEETS
4	4
TIMESTAMP	15/03/2022
	15:38:32