



ON Semiconductor®

FUSB3307 + NCV81599

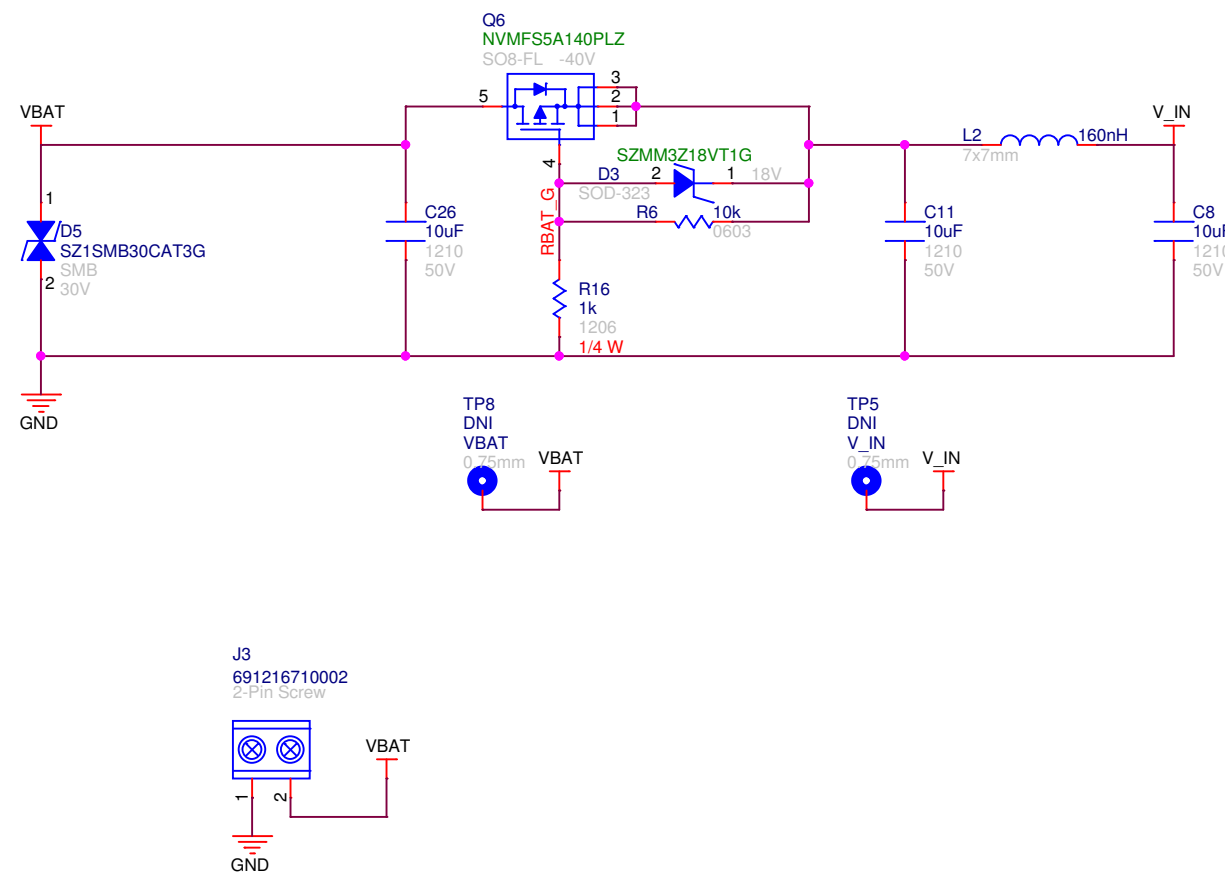
USB-PD3.0 PPS

UPDATE1

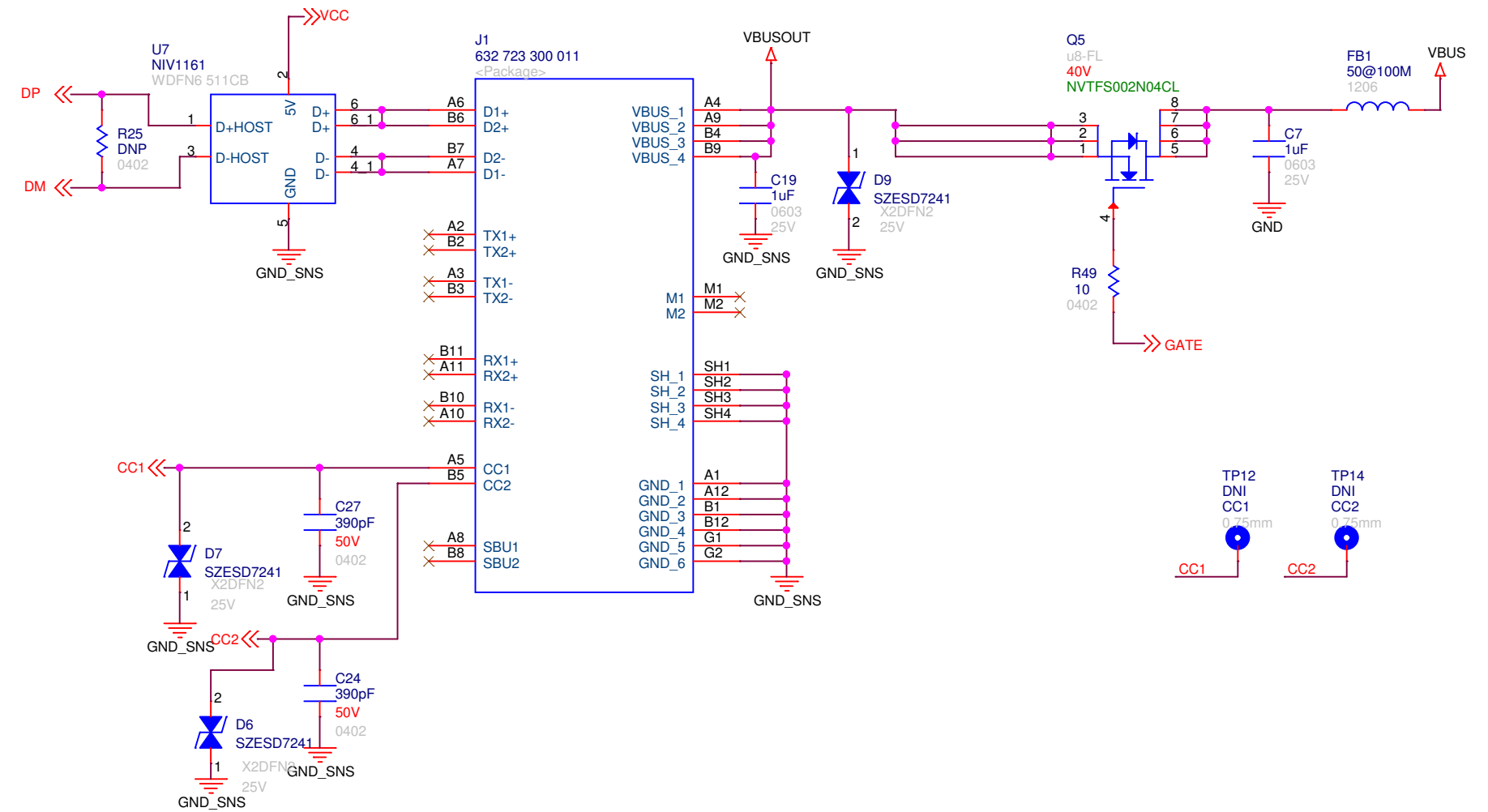
ON Semiconductor		
Title FUSB3307 + NCV81599		
Size Custom	Document Number ONSEC-19-015	Rev REV4
Date: Monday, April 06, 2020	Sheet 1	of 7

USB TYPE C

INPUT FILTER



USB TYPE-C RECEPTACLE

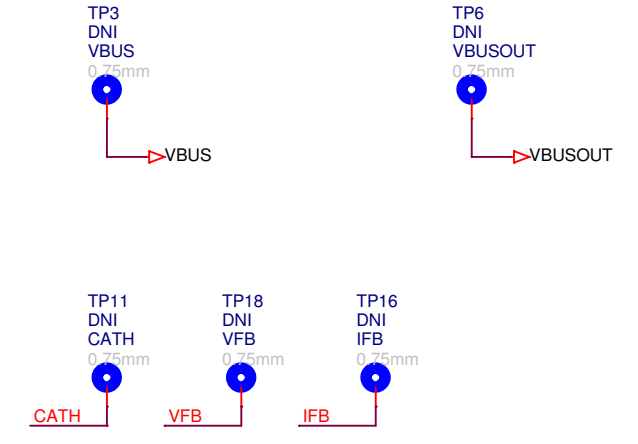
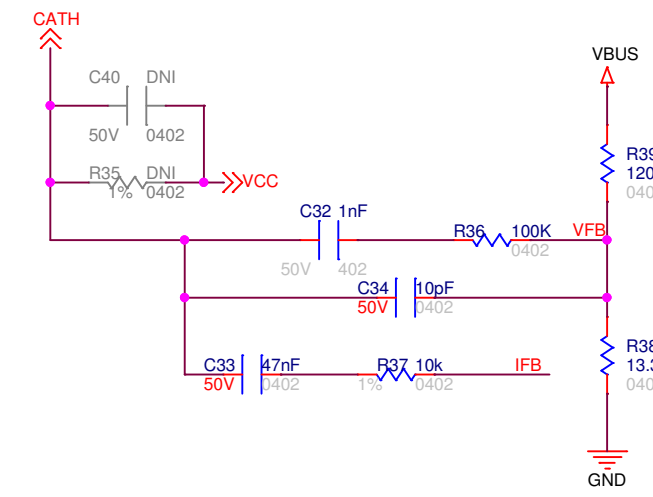
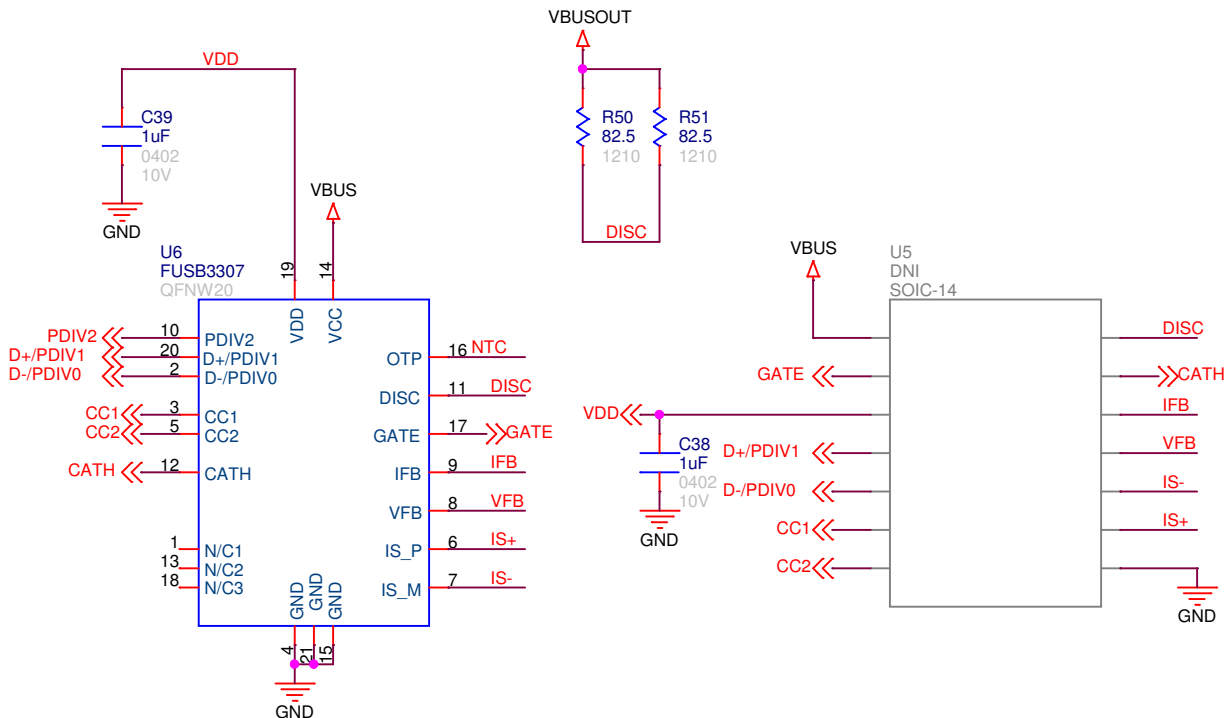


UPDATE1

ON Semiconductor

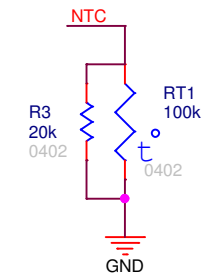
Title FUSB3307 + NCV81599		
Size Custom	Document Number ONSEC-19-015	Rev REV4
Date: Monday, April 06, 2020	Sheet 2	of 7

FUSB3307

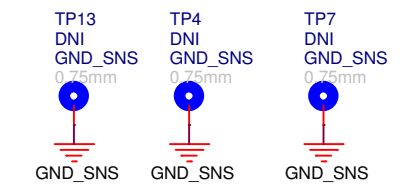
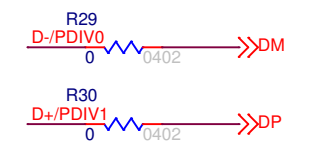
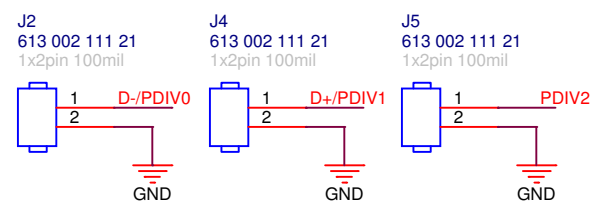
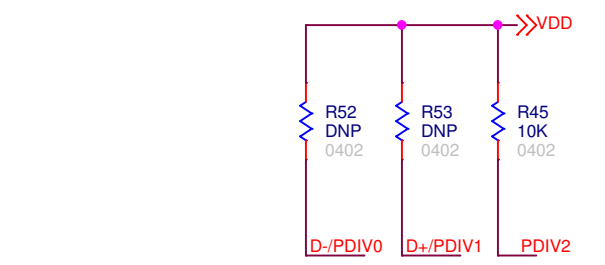
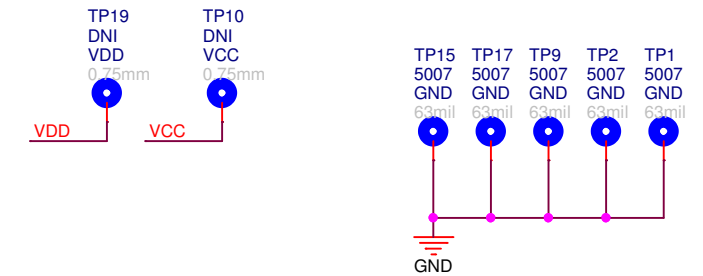
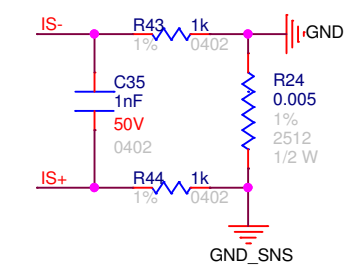


ONLY POPULATE 1 FUSB3307

Temperature Sense



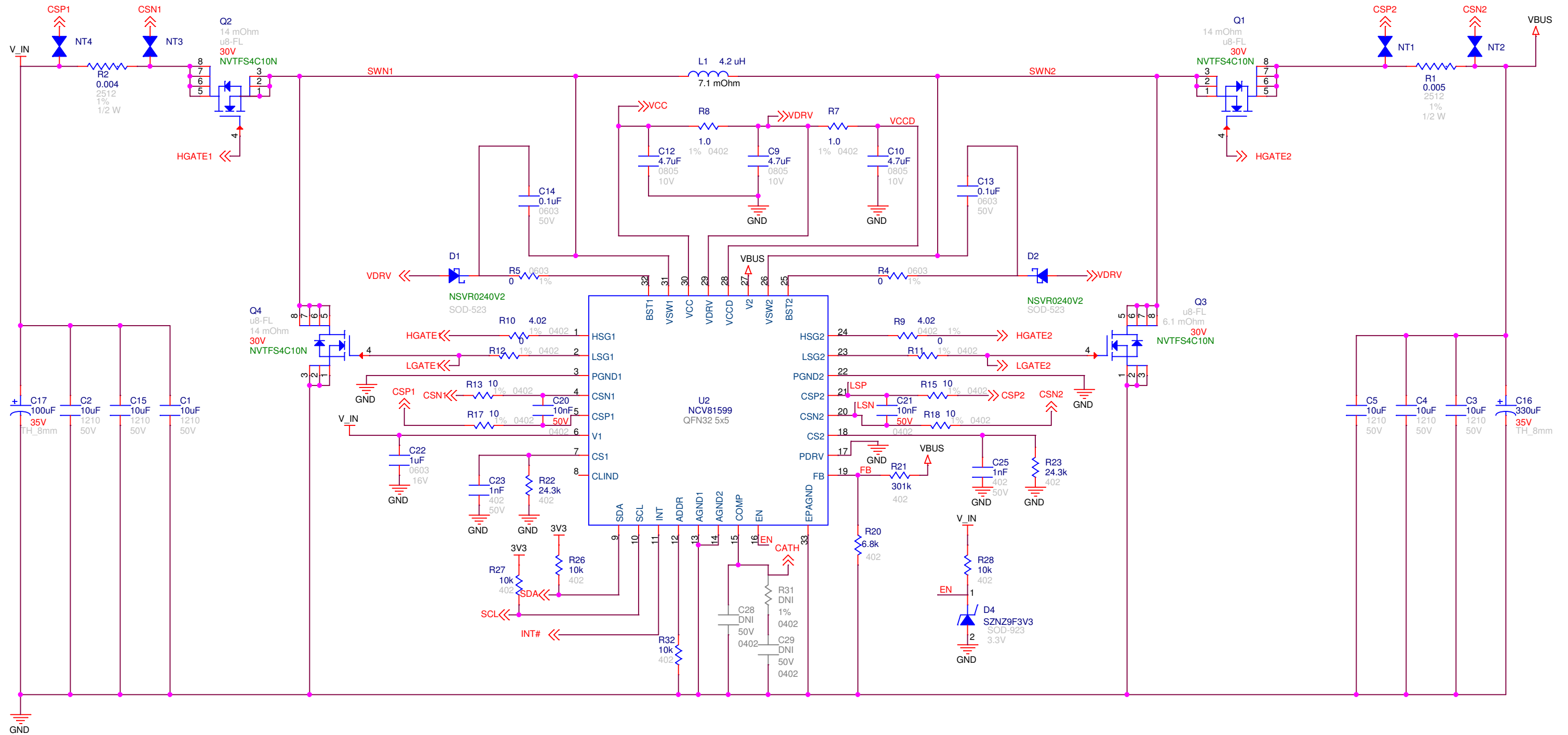
Low Side Current Sensing



UPDATE1

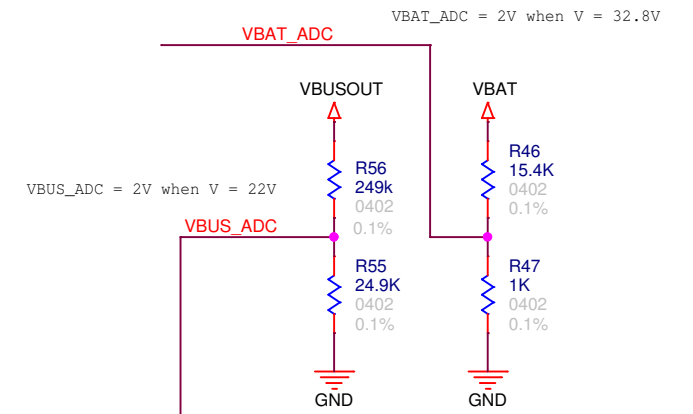
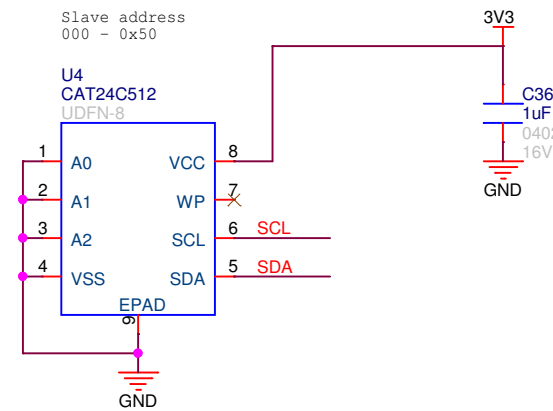
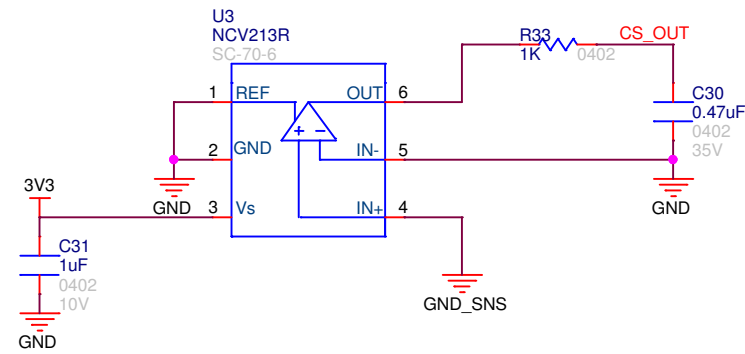
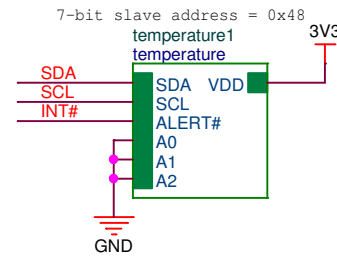
ON Semiconductor		
Title FUSB3307 + NCV81599		
Size Custom	Document Number ONSEC-19-015	Rev REV4
Date: Monday, April 06, 2020	Sheet 3	of 7

NCV81599 BUCK-BOOST

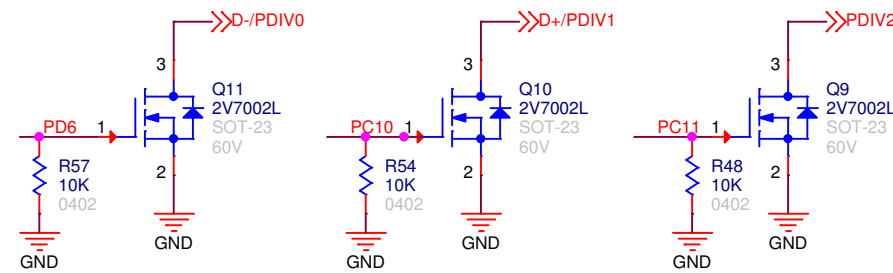


Assisted Interface

Optional Telemetry

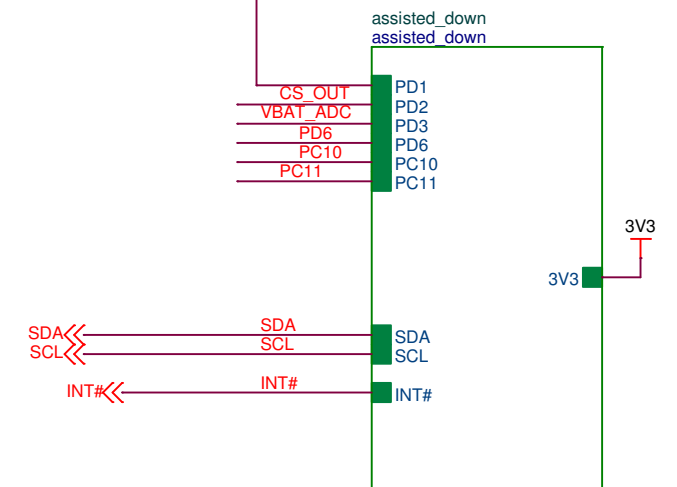


PROGRAMMING POWER DELIVERY POWER



mechanical
mechanical

Mounting holes
Standoffs
Nuts



UPDATE1

ON Semiconductor

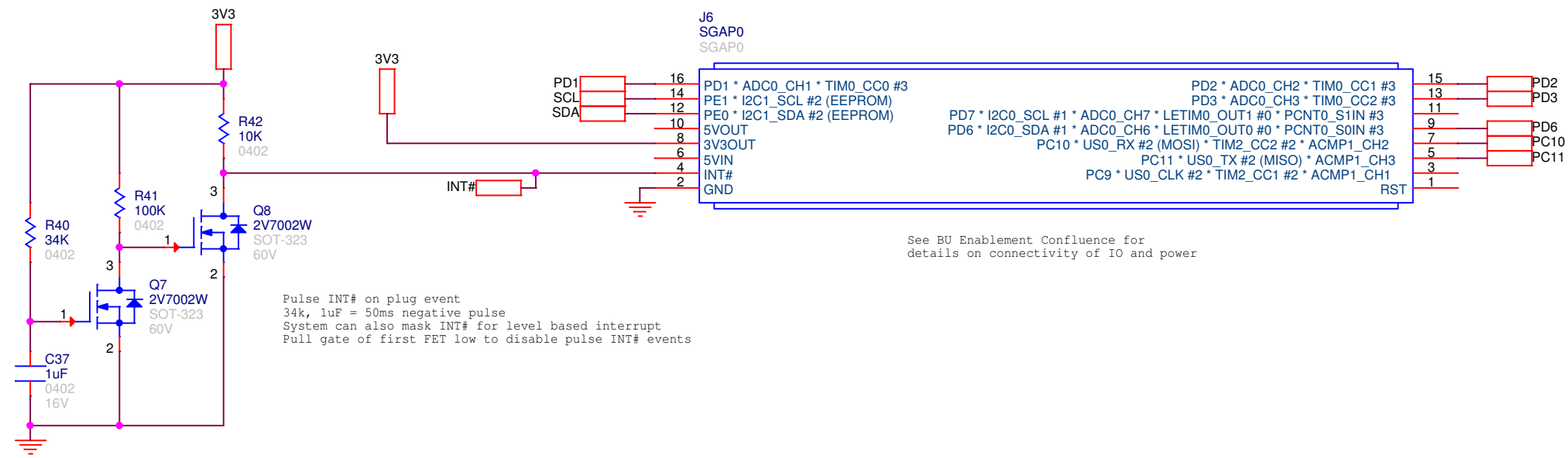
Title
FUSB3307 + NCV81599

Size Custom Document Number
ONSEC-19-015

Rev
REV4

Date: Wednesday, April 08, 2020 Sheet 5 of 7

Assisted Downstream



UPDATE1

ON Semiconductor

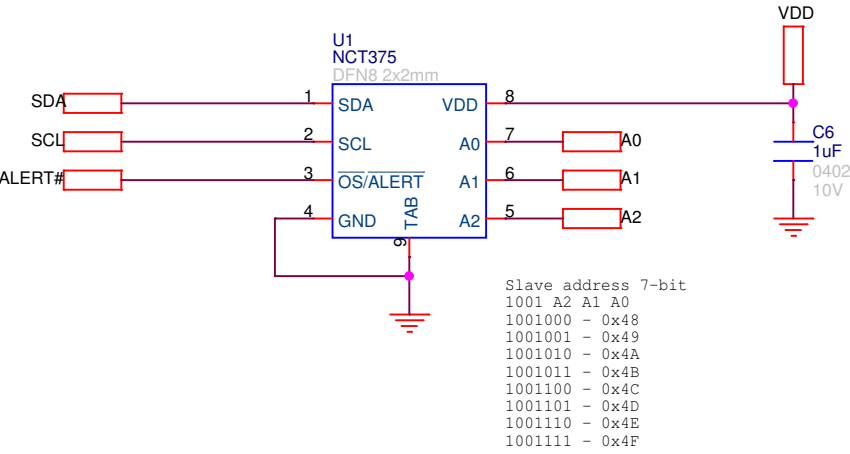
Title
FUSB3307 + NCV81599

Size Custom Document Number
ONSEC-19-015

Rev
REV4

Date: Monday, April 06, 2020 Sheet 6 of 7

Temperature



UPDATE1

ON Semiconductor		
Title FUSB3307 + NCV81599		
Size Custom	Document Number ONSEC-19-015	Rev REV4
Date: Monday, April 06, 2020	Sheet 7	of 7