

1 2 3 4 5 6 7 8

A

A

B

B

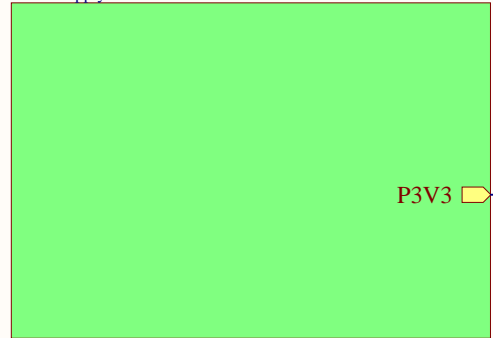
C

C

D

D

Power supply



Energy\_harvesting\_power\_supply.SchDoc

P3V3



P3V3

NCS36510 Lakota module



Energy\_harvesting\_NCS36510\_AFIG0007.SchDoc



Energy harvesting switch - NCS36510 Lakota		Assembly variant:	State:
Block diagram		active_high_LED	released
Revision: rev0.1	Repository revision: Not in version control		<b>ON Semiconductor</b> Solution Engineering Center Piešťany
Engineer: T. Duris	5.April 2019 18:31		
File: Energy_harvesting_block_diagram.SchDoc	1/3		



1 2 3 4 5 6 7 8

1 2 3 4 5 6 7 8

A

A

B

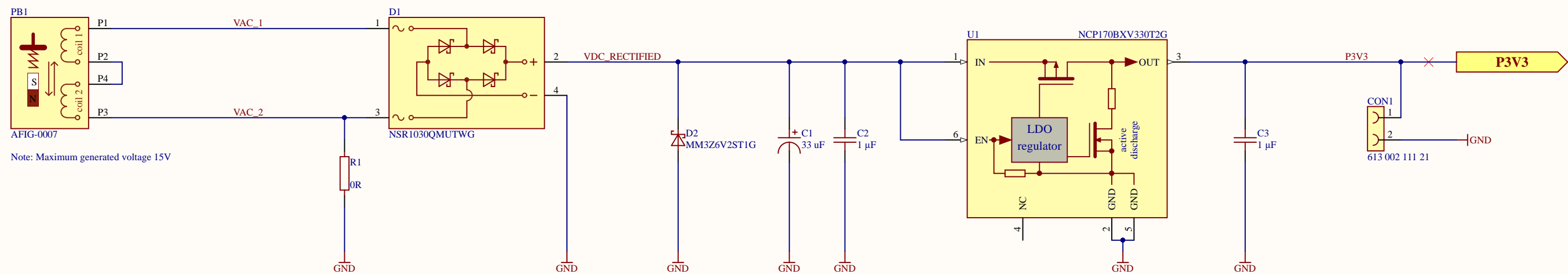
B

C

C

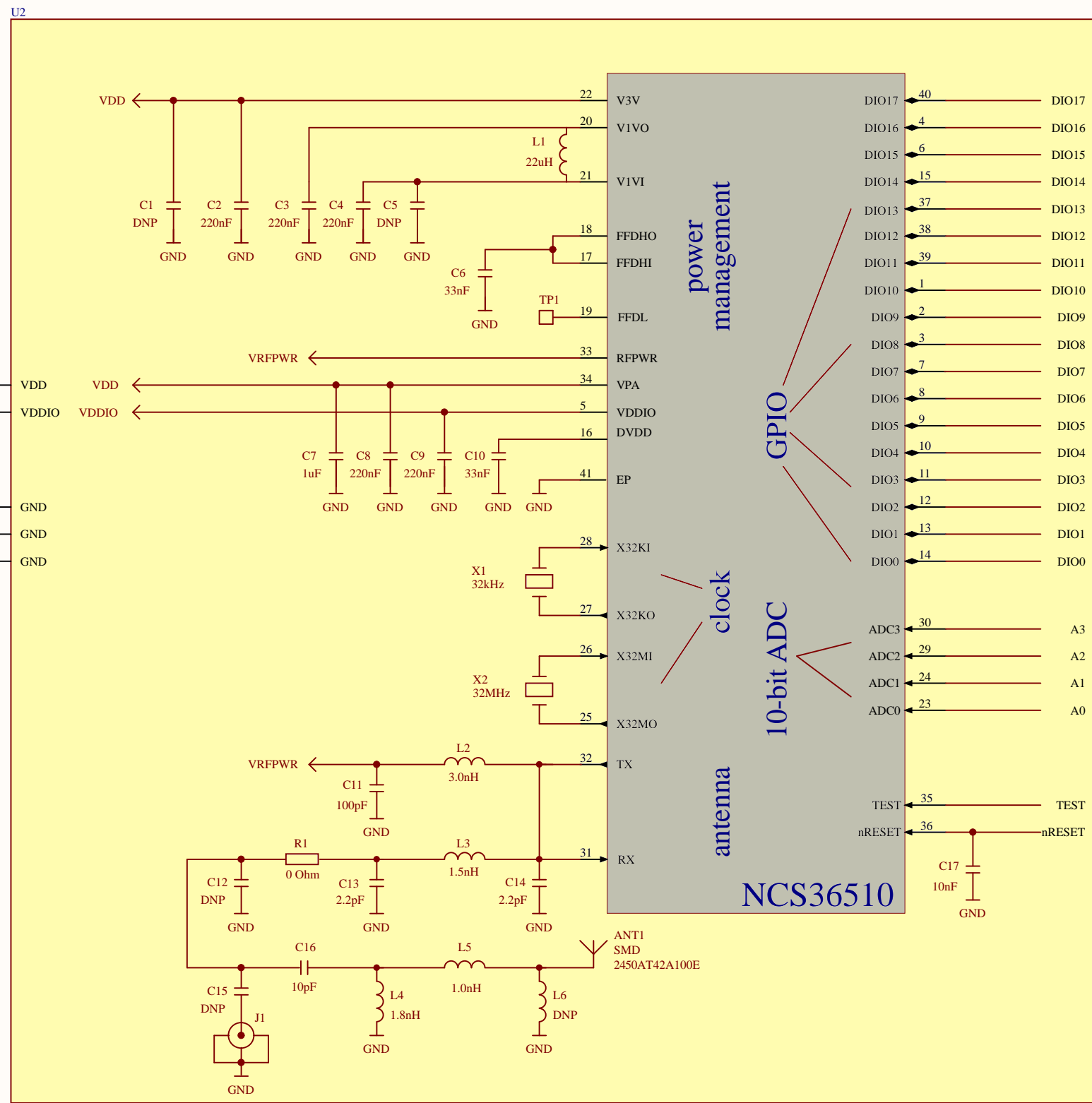
D

D

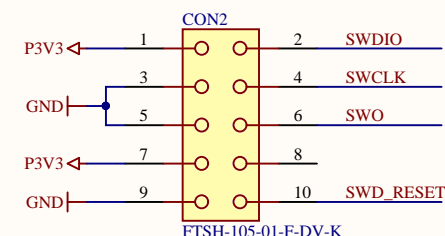
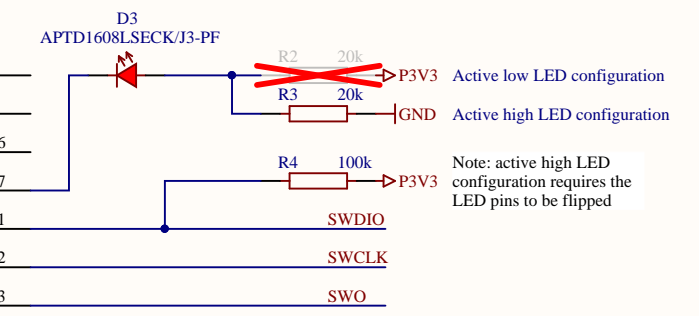


Energy harvesting switch - NCS36510 Lakota		Assembly variant:	State:
Power supply		active_high_LED	released
Revision: rev0.1	Repository revision: Not in version control		<b>ON Semiconductor</b> Solution Engineering Center Piešťany
Engineer: T. Duris	5.April 2019 18:31		
File: Energy_harvesting_power_supply.SchDoc	2/3		

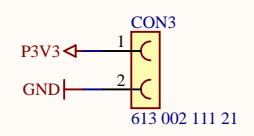
1 2 3 4 5 6 7 8



NCS36510 Lakota module



NCS36510 Lakota SW Debug & Programming



Power supply connector

Energy harvesting switch - NCS36510 Lakota		Assembly variant:	State:
NCS36510 Lakota module interface		active_high_LED	released
Revision: rev0.1	Repository revision: Not in version control	ON Semiconductor	
Engineer: T. Duris	5.April 2019 18:31	Solution Engineering Center Piestany	
File: Energy_harvesting_NCS36510_AFIG0007.SchDoc	3/3		

1 2 3 4 5 6 7 8

A

A

B

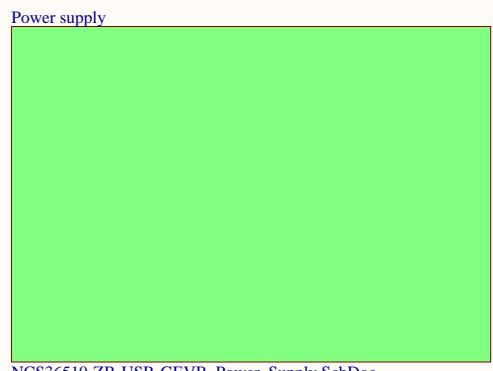
B

C

C

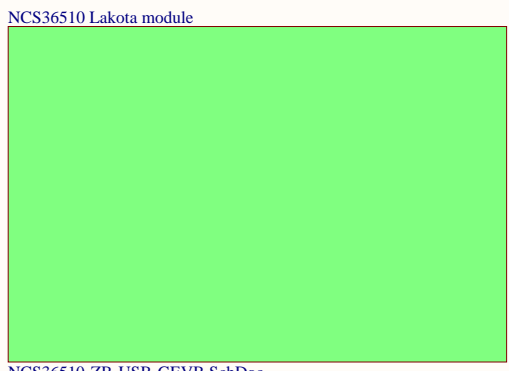
D

D



Power supply

NCS36510-ZB-USB-GEVB\_Power\_Supply.SchDoc



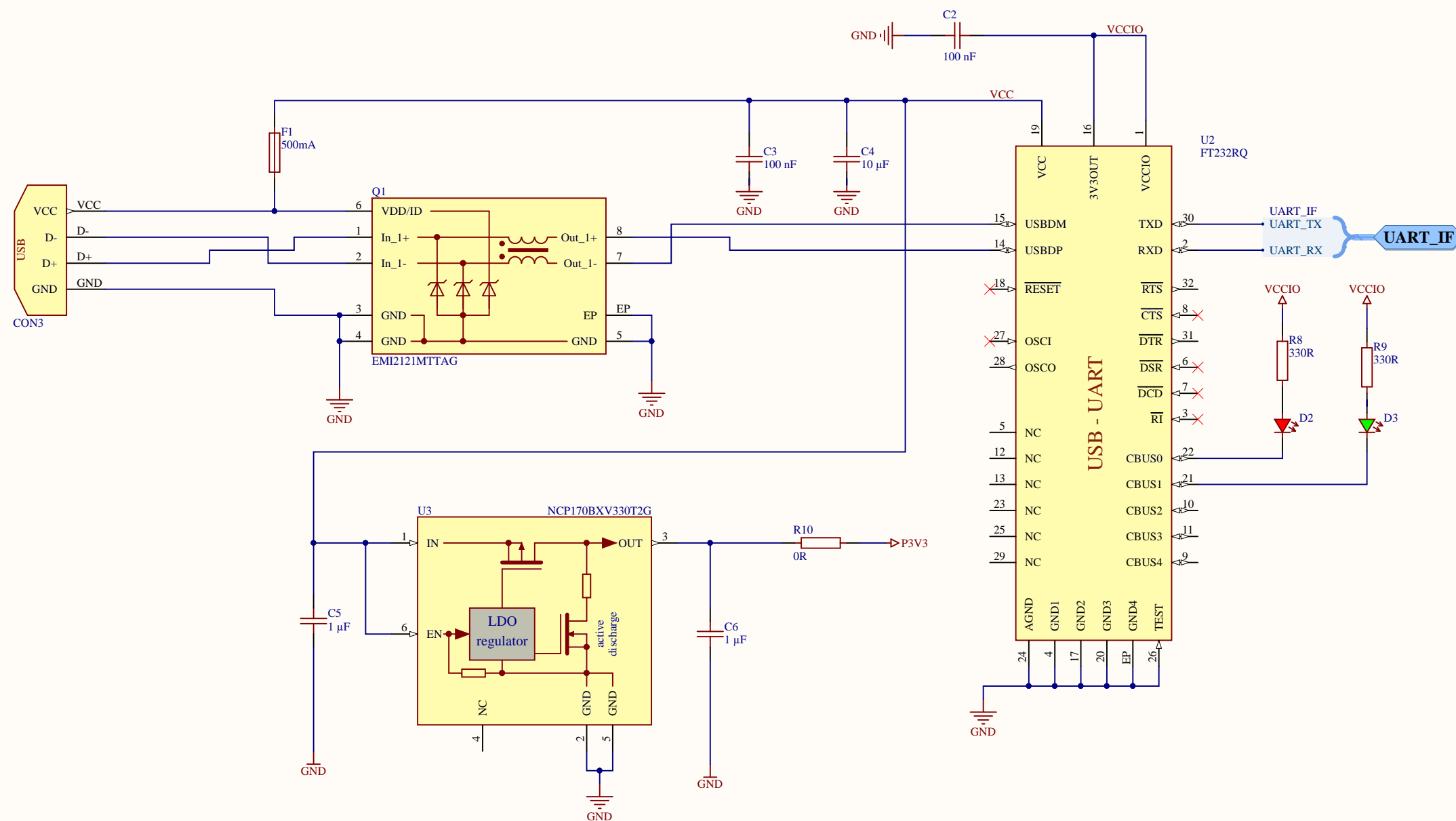
NCS36510 Lakota module

NCS36510-ZB-USB-GEVB.SchDoc



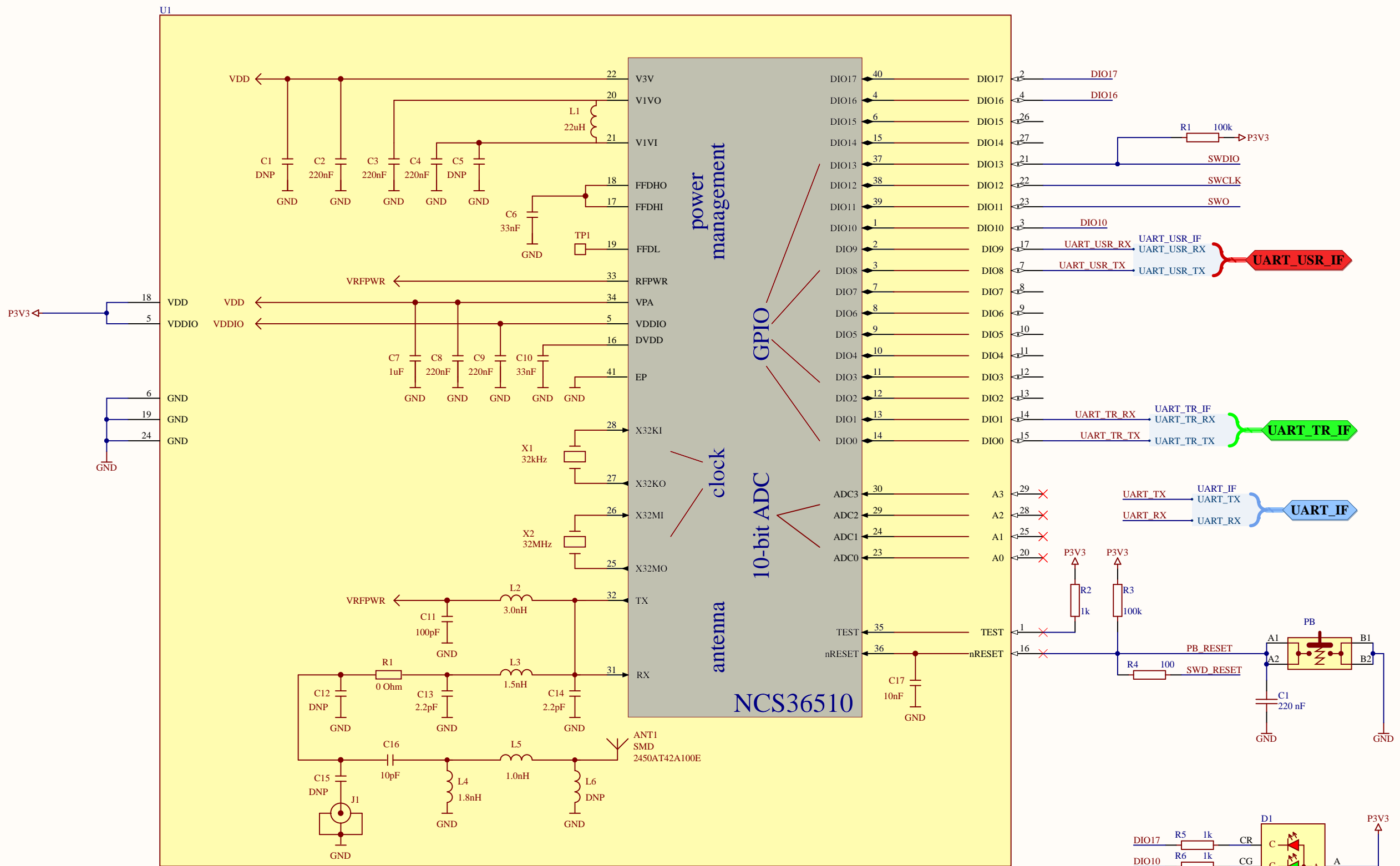
ZBGP_USB_dongle		Assembly variant:	State:
*		[No Variations]	in work
Revision: 0.1	Repository revision: Not in version control		<b>ON Semiconductor</b> Solution Engineering Center Piestany
Engineer: Marek Vajsabel	*		
File: NCS36510-ZB-USB-GEVB_Block Diagram.SchDoc	1/3		

1 2 3 4 5 6 7 8



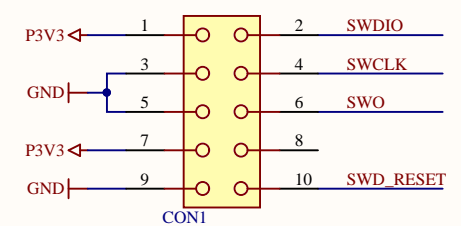
ZBGP_USB_dongle		Assembly variant:	State:
*		[No Variations]	in work
Revision: 0.1	Repository revision: Not in version control		<b>ON Semiconductor</b> Solution Engineering Center Piestany
Engineer: Marek Vajsabel	*		
File: NCS36510-ZB-USB-GEVB_Power_Supply.SchDoc	2/3		



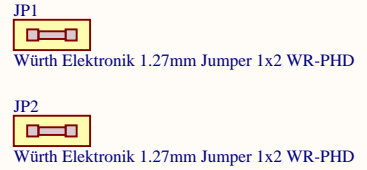
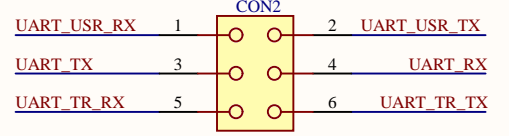


NCS36510 Lakota module

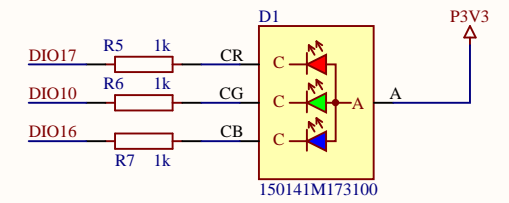
**NCS36510 Lakota SW Debug & Programming**



**UART\_IF Switch**



**UART\_USR\_IF jumper placement: Short 1-3; 2-4**  
**UART\_TR\_IF jumper placement: Short 3-5; 4-6**



<b>ZBGP_USB_dongle</b>		Assembly variant:	State:
*		[No Variations]	in work
Revision: 0.1	Repository revision: Not in version control	<b>ON Semiconductor</b> Solution Engineering Center Piestany	
Engineer: Marek Vajsabel	*		
File: NCS36510-ZB-USB-GEVB.SchDoc	3/3		

