



Is Now Part of



ON Semiconductor®

To learn more about ON Semiconductor, please visit our website at
www.onsemi.com

ON Semiconductor and the ON Semiconductor logo are trademarks of Semiconductor Components Industries, LLC dba ON Semiconductor or its subsidiaries in the United States and/or other countries. ON Semiconductor owns the rights to a number of patents, trademarks, copyrights, trade secrets, and other intellectual property. A listing of ON Semiconductor's product/patent coverage may be accessed at www.onsemi.com/site/pdf/Patent-Marking.pdf. ON Semiconductor reserves the right to make changes without further notice to any products herein. ON Semiconductor makes no warranty, representation or guarantee regarding the suitability of its products for any particular purpose, nor does ON Semiconductor assume any liability arising out of the application or use of any product or circuit, and specifically disclaims any and all liability, including without limitation special, consequential or incidental damages. Buyer is responsible for its products and applications using ON Semiconductor products, including compliance with all laws, regulations and safety requirements or standards, regardless of any support or applications information provided by ON Semiconductor. "Typical" parameters which may be provided in ON Semiconductor data sheets and/or specifications can and do vary in different applications and actual performance may vary over time. All operating parameters, including "Typicals" must be validated for each customer application by customer's technical experts. ON Semiconductor does not convey any license under its patent rights nor the rights of others. ON Semiconductor products are not designed, intended, or authorized for use as a critical component in life support systems or any FDA Class 3 medical devices or medical devices with a same or similar classification in a foreign jurisdiction or any devices intended for implantation in the human body. Should Buyer purchase or use ON Semiconductor products for any such unintended or unauthorized application, Buyer shall indemnify and hold ON Semiconductor and its officers, employees, subsidiaries, affiliates, and distributors harmless against all claims, costs, damages, and expenses, and reasonable attorney fees arising out of, directly or indirectly, any claim of personal injury or death associated with such unintended or unauthorized use, even if such claim alleges that ON Semiconductor was negligent regarding the design or manufacture of the part. ON Semiconductor is an Equal Opportunity/Affirmative Action Employer. This literature is subject to all applicable copyright laws and is not for resale in any manner.

AN-6612

A Novel JFET Micro-Power Voltage Regulator

Many systems require a stable voltage supply to maintain constant performance. When these systems are battery-operated, a regulator is needed to stabilize the system voltage as the battery decays with time. Unfortunately, IC voltage regulators require several milliamps of quiescent current, making them impractical for micro-power applications. Zener diodes may also be impractical because of short term peak current requirements of the system. This could require additional buffering or high standby currents, but both increase the battery drain. An inexpensive micro-power voltage regulator is needed to fill the gap between IC regulators (high quiescent current) and Zener diodes (high standby current).

Instead of the traditional bipolar approach, the regulator shown in Figure 1 uses a JFET as the series pass element. This offers several advantages: first, no pre-regulation is needed for the pass element as with an NPN bipolar because the drive comes from the regulated output. Next, the gate-source is isolated from the line via the drain, thus offering excellent line regulation. This is not the case with PNP bipolar pass elements, where the emitter is the input. Finally, and possibly the most important feature for micro-power regulators, is JFETs require no current drive.

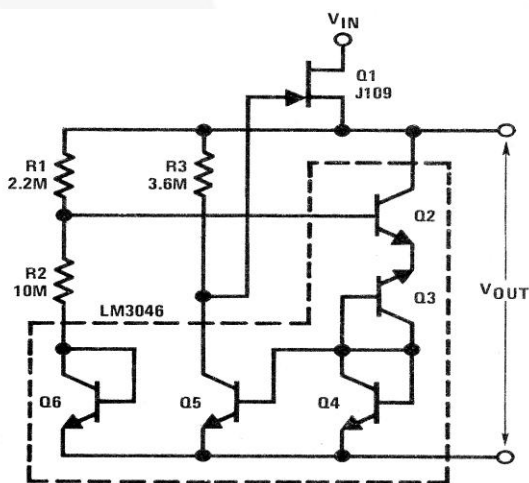


Figure 1. Micro-power Regulator

Output Voltage

$$V_{OUT} = V_{BE} \left(2 + \frac{R1}{R2} \right) + BV_{EB} \left(1 + \frac{R1}{R2} \right)$$

Drift

$$\frac{\partial V_{OUT}}{\partial T} = \frac{\partial V_{BE}}{\partial T} \left(2 + \frac{R1}{R2} \right) + \frac{\partial BV_{EB}}{\partial T} \left(1 + \frac{R1}{R2} \right)$$

Quiescent Current $\approx 4 \mu A$

The emitter-base breakdown voltage of Q3 is used as a reference ($\sim 7.2 V$) in conjunction with Q2 to form a shunt regulator. The shunt current drives a current mirror, Q4-Q5, which creates the gate drive voltage of the pass JFET. The value of the shunt current is determined by R3 and the V_{GS} of the pass JFET ($I_{R3} \sim I_{SHUNT}$). High load currents will reduce the shunt current because the JFET V_{GS} is lower. Temperature stability is achieved by cancelling the drift of Q2 and Q3's V_{BE} ($\sim 2 mV/^{\circ}C/transistor$) with the BV_{EB} drift of Q3 ($\sim 3 mV/^{\circ}C$) resulting in a negative drift at the base of Q2, and the output, of $1 mV/^{\circ}C$.

Selection of the JFET requires some care. Ideally, the JFET I_{DSS} needs to be greater than the load current at all temperatures (I_{DSS} has a temperature coefficient of $\sim -0.7\%/^{\circ}C$) and the breakdown voltage should be greater than the maximum input voltage. Practically, the JFET I_{DSS} needs to be much larger than the maximum load current. Linear operation requires the JFET's drain to gate voltage (V_{DG}) to be greater than the pinch-off voltage V_P . By operating the JFET at currents much less than I_{DSS} , the gate to source voltage (V_{GS}) will be close to V_P ($V_{GS} = V_P (1 - (I_D/I_{DSS})^{1/2})$) allowing small drain to source voltages (V_{DS}). For linear operation:

$$|V_{DG}| > |V_P|$$

$$V_{DG} = V_{DS} - V_{GS}$$

It should be noted that N channel JFET's can be paralleled for higher load current requirements without matching the devices.

Actual performance of the regulator is quite good. With a 10 V typical output, the line regulation is within $\pm 0.05\%$ for a range of $V_{IN}-V_{OUT}$ of 0.3 V to 10 V. The load regulation is 0.2% with a load range of 10 μA to 10 mA ($Z_O \sim 10 \Omega$) and the temperature stability is $-0.01\%/^{\circ}C$ ($\sim 1 mV/^{\circ}C$). The

output voltage can be easily trimmed by adding a pot at the R1 R2Q₂BASE junction to eliminate BV_{EB} variations or to make the output adjustable over a limited range. Also, the temperature stability can be improved by replacing Q3 with an 8.2 V Zener diode, because its temperature drift

(~4 mV/°C) would nearly match the combined V_{BE} drift of Q2 and Q4. The regulator is good enough to be used as a reference in low accuracy (6-7-bit) or limited temperature range applications if current drain is important.

Author: John Maxwell, Feb 1977

References:

1. "Voltage Regulator Handbook", National Semiconductor Corporation, May 1975.
2. "Zener Diode Handbook", Motorola, Inc., May 1967.
3. Williams, P., "D.C. Voltage-Reference Circuits with Minimum Input-Output Differentials", Proc. IEEE pp. 1280–1281, December, 1969.

DISCLAIMER

FAIRCHILD SEMICONDUCTOR RESERVES THE RIGHT TO MAKE CHANGES WITHOUT FURTHER NOTICE TO ANY PRODUCTS HEREIN TO IMPROVE RELIABILITY, FUNCTION, OR DESIGN. FAIRCHILD DOES NOT ASSUME ANY LIABILITY ARISING OUT OF THE APPLICATION OR USE OF ANY PRODUCT OR CIRCUIT DESCRIBED HEREIN; NEITHER DOES IT CONVEY ANY LICENSE UNDER ITS PATENT RIGHTS, NOR THE RIGHTS OF OTHERS.

LIFE SUPPORT POLICY

FAIRCHILD'S PRODUCTS ARE NOT AUTHORIZED FOR USE AS CRITICAL COMPONENTS IN LIFE SUPPORT DEVICES OR SYSTEMS WITHOUT THE EXPRESS WRITTEN APPROVAL OF THE PRESIDENT OF FAIRCHILD SEMICONDUCTOR CORPORATION.

As used herein:

1. Life support devices or systems are devices or systems which, (a) are intended for surgical implant into the body, or (b) support or sustain life, or (c) whose failure to perform when properly used in accordance with instructions for use provided in the labeling, can be reasonably expected to result in significant injury to the user.
2. A critical component is any component of a life support device or system whose failure to perform can be reasonably expected to cause the failure of the life support device or system, or to affect its safety or effectiveness.

ON Semiconductor and  are trademarks of Semiconductor Components Industries, LLC dba ON Semiconductor or its subsidiaries in the United States and/or other countries. ON Semiconductor owns the rights to a number of patents, trademarks, copyrights, trade secrets, and other intellectual property. A listing of ON Semiconductor's product/patent coverage may be accessed at www.onsemi.com/site/pdf/Patent-Marking.pdf. ON Semiconductor reserves the right to make changes without further notice to any products herein. ON Semiconductor makes no warranty, representation or guarantee regarding the suitability of its products for any particular purpose, nor does ON Semiconductor assume any liability arising out of the application or use of any product or circuit, and specifically disclaims any and all liability, including without limitation special, consequential or incidental damages. Buyer is responsible for its products and applications using ON Semiconductor products, including compliance with all laws, regulations and safety requirements or standards, regardless of any support or applications information provided by ON Semiconductor. "Typical" parameters which may be provided in ON Semiconductor data sheets and/or specifications can and do vary in different applications and actual performance may vary over time. All operating parameters, including "Typicals" must be validated for each customer application by customer's technical experts. ON Semiconductor does not convey any license under its patent rights nor the rights of others. ON Semiconductor products are not designed, intended, or authorized for use as a critical component in life support systems or any FDA Class 3 medical devices or medical devices with a same or similar classification in a foreign jurisdiction or any devices intended for implantation in the human body. Should Buyer purchase or use ON Semiconductor products for any such unintended or unauthorized application, Buyer shall indemnify and hold ON Semiconductor and its officers, employees, subsidiaries, affiliates, and distributors harmless against all claims, costs, damages, and expenses, and reasonable attorney fees arising out of, directly or indirectly, any claim of personal injury or death associated with such unintended or unauthorized use, even if such claim alleges that ON Semiconductor was negligent regarding the design or manufacture of the part. ON Semiconductor is an Equal Opportunity/Affirmative Action Employer. This literature is subject to all applicable copyright laws and is not for resale in any manner.

PUBLICATION ORDERING INFORMATION

LITERATURE FULFILLMENT:

Literature Distribution Center for ON Semiconductor
19521 E. 32nd Pkwy, Aurora, Colorado 80011 USA
Phone: 303-675-2175 or 800-344-3860 Toll Free USA/Canada
Fax: 303-675-2176 or 800-344-3867 Toll Free USA/Canada
Email: orderlit@onsemi.com

N. American Technical Support: 800-282-9855 Toll Free
USA/Canada
Europe, Middle East and Africa Technical Support:
Phone: 421 33 790 2910
Japan Customer Focus Center
Phone: 81-3-5817-1050

ON Semiconductor Website: www.onsemi.com
Order Literature: <http://www.onsemi.com/orderlit>
For additional information, please contact your local
Sales Representative